

Wireless Self-Powered Rocker Switch

Integrates with MechoSystems' daylighting control

Utilizing the open, interoperable EnOcean wireless technology, this switch can operate any MechoNet™ connected motorized roller shade via the MechoNet Wireless Controller (MWC).

For intelligent WhisperShade® IQ2® Electronic Drive Units, this is as simple as adding the MWC to the bus line and pairing the switch to a channel. For other motor types, the MWC communicates directly with other MechoNet controllers such as the IQ/MLC2 or MNI.

This Decora single rocker style switch enables the shade to open, close, or stop on command at any intermediate position simply by pressing the button while the shade is moving.

Pressing the rocker pad provides kinetic energy to transmit the signal with no other power requirement.

Features and benefits:

- No wires. No batteries.
- EnOcean wireless communication.
- Zero charge time to operate.
- Wireless technology supports simplified daylight harvesting and manual override options.
- Rocker-style up/down/stop switching.
- Convenient multi-location (3- or 4-way) switching.
- Fits a standard single-gang j-box or can be surface mounted, and includes a Decora faceplate.

Applications:

- Each wireless switch can be placed anywhere within range of an MWC.
- Remote switch is typically surface mounted on a wall with screws or industrial tape.
- Ideal for retrofits and new construction.
- Switch can also be used in a standard wallbox or as a wireless handheld remote.



(718) 729-2020
mechoshade.com

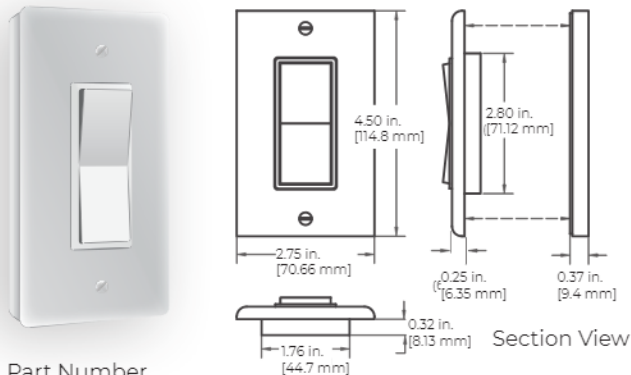
Wireless Self-Powered Rocker Switch

Integrates with MechoSystems' daylighting control

Wireless Self-Powered Rocker Switch

Surface mounted or recessed

Dimensions



Part Number
ESWX-EN09-PC-WH

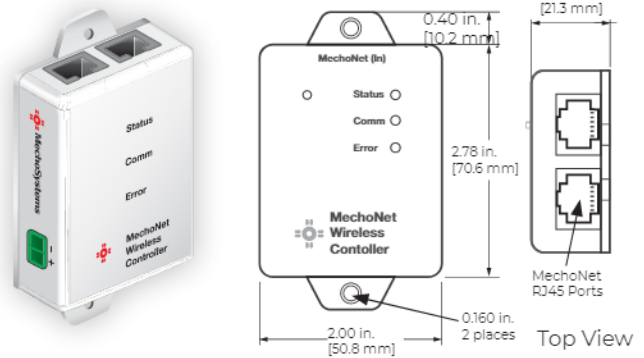
Specifications

Range	50–150 ft.
Frequency	902 MHz
Power Supply	Self-generated when switch is pressed
Memory	Stores up to 20 transmitter IDs
Transmission Interval	Touch
Frequency	902 MHz, EnOcean
Transmission Time	< 30 milliseconds
Transmissions	2 packets per press or release
Mechanical Cycles	> 50,000
Device Address	Unique from factory
Output Channels	Only limited by number of receivers in range
Usage	Indoors only
Operating Temperature Range	32–122°F (0–50°C)
Radio Certification	FCC Certified for Wireless Communication (U.S.), I.C. Certified (Canada) FCC ID: SZV-STM300U IC: 5713A-STM300U
Rockers	WSS05-S9: 1 rocker, 2 pushbuttons
Dimensions	2.75 in. W x 4.50 in. H x 0.32 in. D

MechoNet Wireless Controller

Mounts out of sight

Dimensions



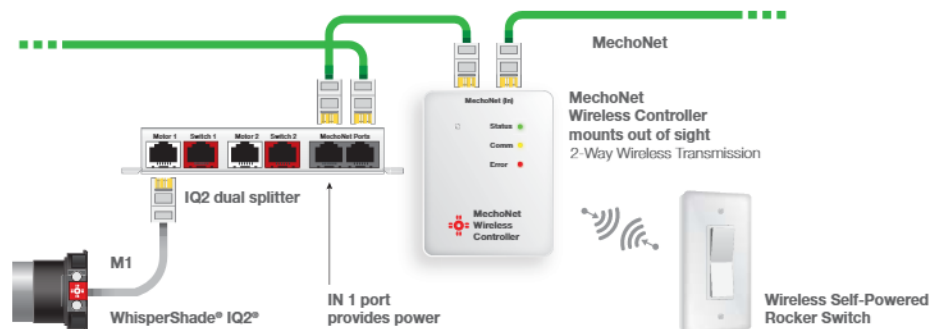
Part Number
MWC9-EN01-TP-WH

Specifications

Size	3.6 in. L x 2.4 in. H x 0.9 in. D
Color	White
Power	12–28 VDC, 100 mA, powered by MechoNet or separate power supply
Wiring	MechoNet: Cat-5/6, RJ45, 4000 ft. (1,219 m) total. 250 devices max.
Frequency	902 MHz, EnOcean
Wireless Range*	Maximum 80 ft. (24 m) unobstructed
Certifications	FCC part 15 Class B Compliant
Controls	Up to 16 Sensors or other EnOcean devices

CAT5/6 USOC Crimp		
Pin 1	Brown/White	MechoNet—Net A (NET A)
Pin 2	Green/White	Power—Motor/Controller (PWR)
Pin 3	Orange/White	Common (COM)
Pin 4	Blue	Power—Bus Supply (V+)
Pin 5	Blue/White	Common (COM)
Pin 6	Orange	Power—Bus Supply (V+)
Pin 7	Green	Common (COM)
Pin 8	Brown	MechoNet—Net B (NET B)

* Wireless signals may be impacted by metal columns, mullions, or other structures typically used in and around the curtainwall. As such, the Wireless Rocker Switch should be located as close as possible to the MechoNet Wireless Controller. For optimal performance, up to 25 ft. (8 m) is the recommended range.



(718) 729-2020
mechoshade.com