

## DEFENSE

### Knowledge design.

**Freestanding** shade made of stainless steel with a sail that may be rotated through 360°. The **Dacron®** canvas winds up in just a few seconds by hand, or using a remote-controlled motor. In the **motor-driven** version, Defense is fitted with an **anemometer** for automatically closing the sail in the event of strong wind.

design award WINNER



## FEATURES



CUSTOMIZABLE



MOTOR-DRIVEN OPERATION



MANUAL OPERATION



CE MARKING



NAUTICAL TECHNOLOGY



ANEMOMETER



LOW MAINTENANCE



RESISTANCE TO SALINITY



RESISTANCE TO ATMOSPHERIC EVENTS

## MATERIALS AND COLOURS



### Poles: stainless steel AISI 304

The stainless steel used for bolts and screws and all components is AISI 304 which belongs to the group of austenitics. The steel used by Velombra is subject to treatments of **pickling**, **electropolishing** and **passivation** with intermediate washes at high pressure, which guarantee a high resistance to corrosion, a very important feature for an extended exposure to atmospheric conditions. Corrosion tests, performed by the Cosmob (Certified Research Institute) in a cuprosaline-acetic cloud chamber, have shown the high resistance of the stainless steel Corradi uses for its.

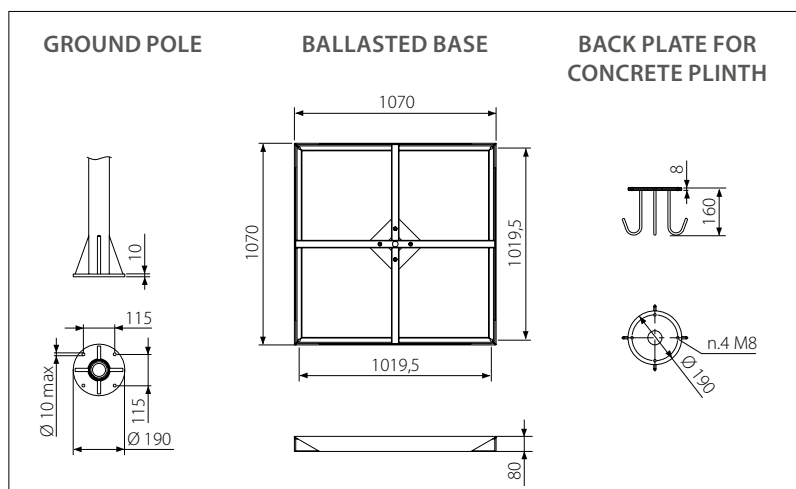
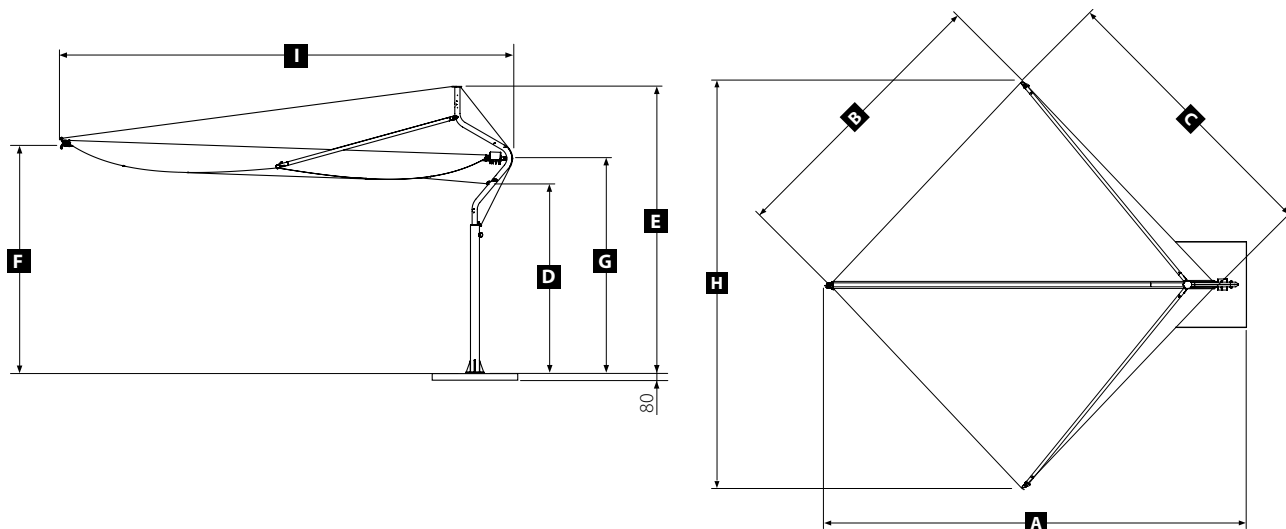


### Sails: Dacron®

Dacron®, fabric of **nautical derivation**, is an interwoven **polyester** exposed to different treatments, which give the material a remarkable resistance to atmospheric conditions and wear, very low humidity absorption and excellent mechanical features



WHITE



Dimensions expressed in mm

	A	B	C	D	E	F	G	H	I	Weight*	Weight**
MOD. 14	5345	3400	3400	2280	3330	2735	2565	5250	5220	77 kg	285 kg

N.B.: Check load capacity of the balcony/terrace on which the chosen structure is to be installed.

\* Ground anchorage

\*\* Anchorage on ballasted base complete with tiles (**not supplied**)