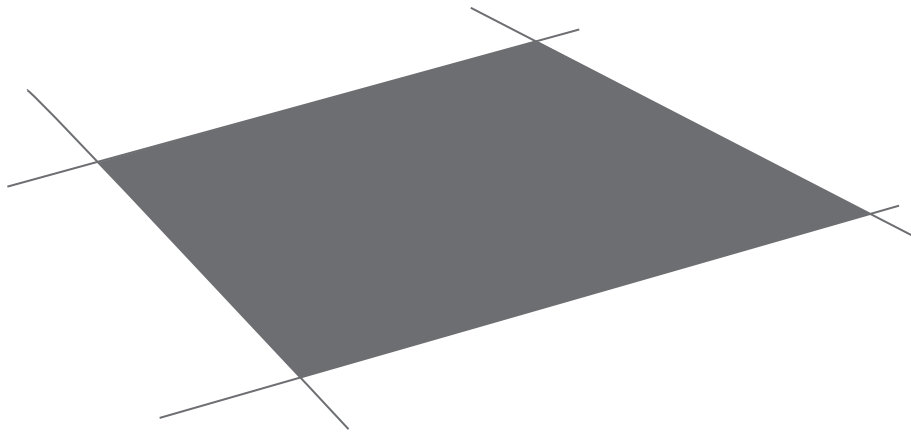
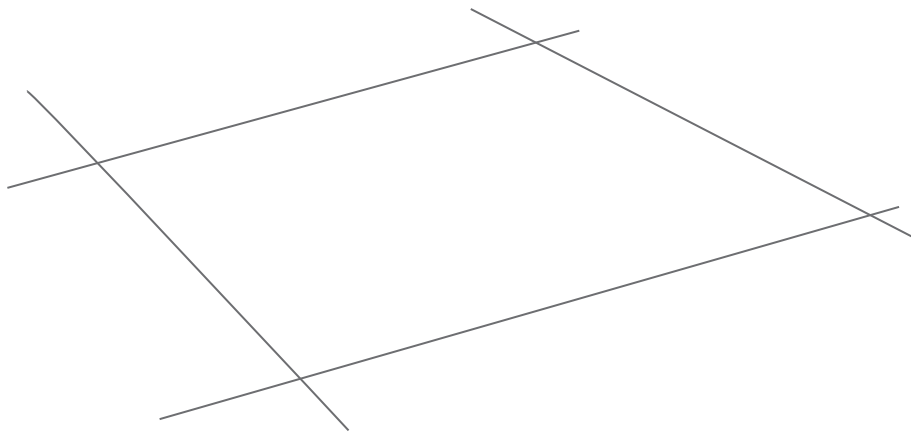




# ARCHITECTURAL PRODUCT GUIDE



Corradi USA, Inc.



# Welcome to Corradi USA, Inc.

## Architectural Products Specification Guide

*Enjoy your surroundings with the protection and control of Corradi USA Inc's vast array of Outdoor options.*

Corradi USA Inc. is an Italian Company based in the US dedicated to bringing vitality and functionality to outdoor spaces. Creating a Corradi USA Outdoor Living Space is an easy reality with our American manufacturing plant based in Dallas TX. Whether you are enhancing the operational charm of the outdoor comforts of home or expanding the atmosphere of an energetic commercial establishment, Corradi USA Inc. will **make your outdoor living space into a destination.**

### CORRADI PERGOTENDA®

Corradi's primary focus, Pergotenda®, is a pergola-type invention that incorporates an advanced retractable roofing system engineered to give at-your-fingertip control over your outdoor living space. With 11 different styles of systems available in multiple variations of aluminum, wood, freestanding and wall mount, customizing a model to fit your outdoor vision is easy. Some styles can go up to 42' wide and 29' projection. Some models can also be manufactured to join together to cover a much bigger area. With Pergotenda® your outdoor possibilities are endless.

### SUNiQ EXTERIOR SCREENS

SUNiQ's extensive line of exterior shading systems can solve virtually every outdoor and indoor sun protection need and provides options for protection from the elements. Sleek designs and an advanced production process as well as leading technical partners allow us to offer the very best in quality and design. Corradi's versatile shade systems are ideal for all types of commercial and residential applications including offices, restaurants, and hotels.

### SUNiQ SHADING

SUNiQ's premiere Shading Line provides a variety of sophisticated shading options that inspire and enhance any outdoor setting. From the sleek inconspicuous casing of the highly sought after Shan Awning to the highly versatile mounting capabilities of the Horizon Screen Awning, Corradi Shading Systems are an essential presence in outdoor living and shading design.

### Corradi Pergotenda® aluminum

- 2 Impact
- 3 Iridium
- 4 Millenium
- 5 Kubo
- 6 B Space
- 7 Exyl

### wood

- 8 PT45
- 9 PT60
- 10 PT100
- 11 Arko

### Pergotenda® accessories

- 12 Stratus Screen, Lighting, & Curtains
- 13 Faux Ceiling & Gable

### SUNiQ Exterior Screens

- 16 Summit
- 17 Harbor
- 18 Vista

### Shading

- 19 Shan
- 20 Svet
- 21 EVO & EVO SC
- 22 Horizon
- 23 Ilios Ray & Wing
- 24 Aire Ray
- 25 Pilot

- 26 **Fabrics**
- 29 **Motors**

# PERGOTENDA® IMPACT



The Impact is the “heart” of every Pergotenda® system. The core retractable cover system, made to size for the protection from sun and rain, that can be installed on suitable pre-existing structures.

The Impact is an aluminum structure with a folding canvas. The fabric is supported by intermediate supporting tubes (1.6"x2") and terminal bars (3.2"x2") set parallel to one another every 24" approximately on pitched version and every 20" approximately on flat version. The Impact system is set in motion by a radio-controlled Dunker D839 motor with either a Nice or Somfy brand receiver. The canvas moves by sliding on the runners (2"x3.5") on carriers with 6 asymmetrical wheels with a capacity of about 1000 lbs. each. The toothed transmission belt has stainless steel cables and resists high salinity environments. The tensile strength is of 2000 lbs at break. The transmission belt is inserted in each runner, controlled by the drive pulley and a single drive shaft that guarantees the smooth movement of the canvas. Hardware and accessories are 304 stainless steel. While Corradi USA Inc possesses a great deal of data related to engineering for the Pergotenda® product line that is related to wind ratings and load data that has been developed through specific product tests, case studies and IBC testing. It is understood that when required and due to the custom nature of our projects, engineering must be project specific and adhere to the rules and regulations at the local level where such a project shall be planned and installed.

## FEATURES

**ANTIDRIP SYSTEM** Weldable PVC profile on the upper part of the canvas for lateral rainwater retention. This PVC profile is welded to each far side of a pitched roof canopy to prevent water from dripping over the sides and forces the water to shed into the gutter system.

**ANTISPRAY PROFILE** PVC profile inserted on the lateral side of the runner for retention of rainwater spray. Always in addition to the **ANTIDRIP SYSTEM**. The AntiSpray prevents water from a heavy downpour from “splashing” over the AntiDrip profile and dripping over the sides.

**INTEGRATION** The Impact is very unique in that it can be installed into pre-existing and custom designed frames.

**MOTOR BEAM** Aluminum profile and corresponding accessories to be fixed to self-supporting motor or, in addition, to support the protective cover.

**MOTORIZATION** All Pergotenda® are motorized, giving you complete control at the touch of a button.

## OPTIONS

**ADD-ON INTERMEDIATE SUPPORT TUBE** Used to reduce the height of the canopy swag when the roof unit is retracted, usually for purposes of clearing a door opening or a window. Only two (2) tubes total may be added to any single roof canopy.

**ADD-ON RUNNER** The mechanical Runner is the equivalent of roof truss or rafter and is what the roof canopy is attached to. Adding a Runner is considered when the roof pitch angle needs to be reduced to properly shed water and manage it into the gutter systems. Adding a runner may also be considered to reduce the pitch of the roof for design purposes as well.

**FAUX CEILING** A unique option that hangs a colorful fabric beneath the roofing material to add warmth and atmosphere to the room. The Faux Ceiling fabric can provide for an excellent opportunity to blend other colors or materials that are part of furnishings or cushions. The softer fabric material may also be a benefit in reducing noise or providing other minimal acoustic properties to dampen surrounding noise. This option will depend on the type of fabric. The Faux Ceiling fabric generally must be from the Corradi USA collection or an approved alternate.

**HOOD** The Protective Hood Cover is an aluminum corrugated standing seam cover that is positioned where the unit mounts to the wall or at the back of the unit on a freestanding model for the purpose of protecting the Roof Canopy Swags that are created when the roof retracts and to prevent any water or debris from collecting in the swags. The Protective Hood Cover is powder coated for longevity.

**LIGHTING** The Pergotenda® lighting system is a custom designed system that seamlessly integrates into the Pergotenda® intermediate tubes.

**PITCHED OR FLAT** Both pitched (angled) roof and flat roof options are available for the Impact.

**RETRACTABLE GUTTER** Extruded aluminum profile for rainwater collection, only for pitched versions, fixed to the end support tube. One drainage per runner. Down pipes not provided. The gutters move with the roof canopy and has downspouts that merge into a CNC cut in each front supporting post.

**TRAPEZOIDAL FABRIC** (flat versions only) An alternative drainage option for flat systems to let you control which side of the system you want rain to fall off.

**UNDERSIDE DRIP-COLLECTION RIM** (flat versions only) Welded PVC profile on the underside of the roof canopy to channel water into the side gutters and to prevent water from running along the underside of the roof canopy and dripping down.

## FRAME COLORS

### POWDER COATING\*

The aluminum extrusions are painted with certified Qualicoat cycle epoxy powders. The support tubes come in: White Quartz, Glacier, & Beach Sand to match with the Eclissi fabric.



WHITE QUARTZ



ANTHRACITE



CARBON



GLACIER



BEACH SAND



DUNE



GRANITE



CORTEN



URBAN BRONZE

\*RAL CUSTOM COLOR POWDER COATING IS ALSO AVAILABLE

Due to print variation these finish images should not be used for final production specifications.

## FABRICS

### ECLISSI BLACKOUT FABRIC

Eclissi is fabric exclusively used by Corradi USA for any Pergotenda® structures. It is a High tenacity 1100 Dtex Polyester base fabric with PVC laminate. The embossed finishing on the inner side gives a textile appearance and a dynamic weft effect on the surface. Outer side anti-dust acrylic lacquered. This unique 4-ply material has a blackout layer that also acts as a radiant barrier, providing superior heat resistance and heat gain as compared to other textiles used in these types of applications. It is available in 3 colors:



ECLISSI WHITE



ECLISSI GREY



ECLISSI IVORY

## OTHER RETRACTABLE ROOF FABRICS AVAILABLE

### FERRARI SOLTIS W96

A waterproof, transparent fabric that provides excellent luminosity as well as protection from the elements. Lightweight, durable and 100% recyclable. It is available in 13 colors.

### FERRARI 502

A waterproof vinyl fabric with permanent translucence and a sophisticated satin finish that provides heat and weather protection along with high UV resistance. Lightweight, durable and 100% recyclable. Available in 40 colors.

### FERRARI SOLTIS 92

Greater thermal protection with optimal visual and lighting comfort. Harsh weather and UV resistant. Lightweight, durable and 100% recyclable. Not waterproof. Available in 48 colors.

### FERRARI SOLTIS 86

Perfect balance between thermal protection and visual comfort. Excellent outward visibility. Lightweight, durable and 100% recyclable. Weather and UV resistant. Not waterproof. Available in 26 colors.

## MOTORS

### RADIO CONTROLLED DUNKER D839



#### PITCHED MAX DIMENSIONS

	Width	Projection
2 runner	177"	354"
3 runner	354"	354"
4 runner	512"	354"
5 runner*	512"	354"

#### FLAT MAX DIMENSIONS

	Width	Projection
2 runner	138"	354"
3 runner	276"	354"
4 runner	413"	354"

\*5 runner available pitched only

Note: when pitched and has 4 to 5 runners, system will require 2 motors.

# PERGOTENDA® IRIDIUM



The Iridium is our most classic aluminum Pergotenda® design. With a wide range of sizes and multiple options, the wall-mounted Iridium is one of our more versatile designs with the ability to match any outdoor living style.

The Iridium is a retractable cover system mounted to a wall, custom made to protect against sun and rain. It consists of an aluminum structure and a folding canvas. The fabric is supported by intermediate supporting tubes (1.6"x2") and terminal bars (3.2"x2") set parallel to one another every 24" approximately on pitched version and every 20" approximately on flat version. It slides on runners with built-in splash-guard (2.4"x4.8") on carriers with 6 asymmetrical wheels with a capacity of about 1000 lbs each. The toothed transmission belt has stainless steel cables and resists a saline environment; the tensile strength is of 2000 lbs at break; the transmission belt is inserted in each runner, controlled by the drive pulley and a single drive shaft that guarantees the smooth movement of the canvas. The IRIDIUM system is operated by a radio-controlled Dunker D839 motor. Aluminum tubular structure is 2.4"x4.8". Hardware and accessories are 304 stainless steel. While Corradi USA Inc possesses a great deal of data related to engineering for the Pergotenda® product line that is related to wind ratings and load data that has been developed through specific product tests, case studies and IBC testing. It is understood that when required and due to the custom nature of our projects, engineering must be project specific and adhere to the rules and regulations at the local level where such a project shall be planned and installed.

## FEATURES

**ANTIDRIP SYSTEM** Weldable PVC profile on the upper part of the canvas for lateral rainwater retention. This PVC profile is welded to each far side of a pitched roof canopy to prevent water from dripping over the sides and forces the water to shed into the gutter system.

**ANTISPRAY PROFILE** PVC profile inserted on the lateral side of the runner for retention of rainwater spray. Always in addition to the **ANTIDRIP SYSTEM**. The AntiSpray prevents water from a heavy downpour from "splashing" over the AntiDrip profile and dripping over the sides.

**MOTORIZATION** All Pergotenda® are motorized, giving you complete control at the touch of a button.

**HOOD** The Protective Hood Cover is an aluminum corrugated standing seam cover that is positioned where the unit mounts to the wall or at the back of the unit on a Freestanding model for the purpose of protecting the Roof Canopy Swags that created when the roof retracts and to prevent any water or debris from collecting in the swags. The Protective Hood Cover is powder coated for longevity.

## OPTIONS

**ADD-ON INTERMEDIATE SUPPORT TUBE** Used to reduce the height of the canopy swag when the roof unit is retracted, usually for purposes of clearing a door opening or a window. Only two (2) tubes total may be added to any single roof canopy.

**ADD-ON RUNNER** The mechanical Runner is the equivalent of roof truss or rafter and is what the roof canopy is attached to. Adding a Runner is considered when the roof pitch angle needs to be reduced to properly shed water and manage it into the gutter systems. Adding a runner may also be considered to reduce the pitch of the roof for design purposes as well.

**FAUX CEILING** A unique option that hangs a colorful fabric beneath the roofing material to add warmth and atmosphere to the room. The Faux Ceiling fabric can provide for an excellent opportunity to blend other colors or materials that are part of furnishings or cushions. The softer fabric material may also be a benefit in reducing noise or providing other minimal acoustic properties to dampen surrounding noise. This option will depend on the type of fabric. The Faux Ceiling fabric generally must be from the Corradi USA collection or an approved alternate.

**FRONT BEAM** Finishing aluminum profile for the closing application. Required in order to strengthen the structure with a projection over 157", but not necessary if front screens (Stratus) are applied.

**GABLE** (pitched versions only) A fixed fabric portion used to enclose the angled gap on both sides of a pitched system when using screens.

**LIGHTING** The Pergotenda® lighting system is a custom designed system that seamlessly integrates into the Pergotenda® intermediate tubes.

**PITCHED OR FLAT** Both pitched (angled) roof and flat roof options are available for the Impact.

**RETRACTABLE GUTTER** Extruded aluminum profile for rainwater collection, only for pitched versions, fixed to the end support tube. One drainage per runner. Down pipes not provided. The gutters moves with the roof canopy and has downspouts that merge into a CNC cut in each front supporting post.

**STRATUS SCREEN** An exterior screen specifically designed to integrate into most Pergotenda® systems for complete enclosure that assists in protection from the elements and gives the option of privacy.

**TRAPEZOIDAL FABRIC** (flat versions only) An alternative drainage option for flat systems to let you control which side of the system you want rain to fall off.

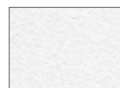
**UNDERSIDE DRIP-COLLECTION RIM** (flat versions only) Welded PVC profile on the underside of the roof canopy to channel water into the side gutters and to prevent water from running along the underside of the roof canopy and dripping down.

**WALL OR CEILING MOUNT** Available mounted to a wall or ceiling.

## FRAME COLORS

### POWDER COATING\*

The aluminum extrusions are painted with certified Qualicoat cycle epoxy powders. The support tubes come in: White Quartz, Glacier, & Beach Sand to match with the Eclissi fabric.



WHITE QUARTZ



ANTHRACITE



CARBON



GLACIER



BEACH SAND



DUNE



GRANITE



CORTEN



URBAN BRONZE

\*RAL CUSTOM COLOR POWDER COATING IS ALSO AVAILABLE

Due to print variation these finish images should not be used for final production specifications.

## FABRICS

### ECLISSI BLACKOUT FABRIC

Eclissi is fabric exclusively used by Corradi USA for any Pergotenda® structures. It is a High tenacity 1100 Dtex Polyester base fabric with PVC laminate. The embossed finishing on the inner side gives a textile appearance and a dynamic weft effect on the surface. Outer side anti-dust acrylic lacquered. This unique 4-ply material has a blackout layer that also acts as a radiant barrier, providing superior heat resistance and heat gain as compared to other textiles used in these types of applications. It is available in 3 colors:



ECLISSI WHITE



ECLISSI GREY



ECLISSI IVORY

## OTHER RETRACTABLE ROOF FABRICS AVAILABLE

### FERRARI SOLTIS W96

A waterproof, transparent fabric that provides excellent luminosity as well as protection from the elements. Lightweight, durable and 100% recyclable. It is available in 13 colors.

### FERRARI 502

A waterproof vinyl fabric with permanent translucence and a sophisticated satin finish that provides heat and weather protection along with high UV resistance. Lightweight, durable and 100% recyclable. Available in 40 colors.

### FERRARI SOLTIS 92

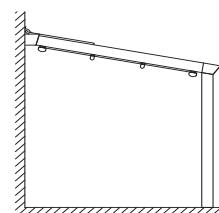
Greater thermal protection with optimal visual and lighting comfort. Harsh weather and UV resistant. Lightweight, durable and 100% recyclable. Not waterproof. Available in 48 colors.

### FERRARI SOLTIS 86

Perfect balance between thermal protection and visual comfort. Excellent outward visibility. Lightweight, durable and 100% recyclable. Weather and UV resistant. Not waterproof. Available in 26 colors.

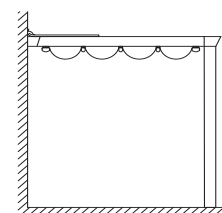
## MOTORS

### RADIO CONTROLLED DUNKER D839



PITCHED MAX DIMENSIONS

	Width	Projection
2 runner	177"	256"
3 runner	354"	256"
4 runner	512"	256"
5 runner*	512"	256"



FLAT MAX DIMENSIONS

	Width	Projection
2 runner	138"	236"
3 runner	276"	236"
4 runner	413"	236"

\*5 runner available pitched only

Note: when pitched and has 4 to 5 runners, system will require 2 motors.

# PERGOTENDA® MILLENIUM



A seamless design with contemporary style. With its flush front and flexible design, the Millennium creates a unique modern atmosphere that complements any outdoor architecture.

The Millennium is a retractable cover system mounted to a wall, custom made to protect against sun and rain. It consists of an aluminum structure and a folding canvas. This canvas is supported by intermediate supporting tubes (1.6"x2") and terminals (3.2"x2") set parallel to one another approximately every 24" (pitched version) and approximately every 20" (flat version). The canvas slides on support runners (2"x3.6") on 6 asymmetrical wheels with a capacity over 1000 lbs each. The toothed drive belt contains stainless steel cables and resists a saline environment; the tensile strength is of 2000 lbs. at break; the drive belt is inserted in each runner, controlled by the drive pulley and a single drive shaft and guarantees the smooth movement of the canvas. The Millennium system is operated by a radio-controlled Dunker D839 motor. Aluminum tubular structure 1.6"x4.7". Hardware and accessories are 304 stainless steel. While Corradi USA Inc possesses a great deal of data related to engineering for the Pergotenda® product line that is related to wind ratings and load data that has been developed through specific product tests, case studies and IBC testing. It is understood that when required and due to the custom nature of our projects, engineering must be project specific and adhere to the rules and regulations at the local level where such a project shall be planned and installed.

## FEATURES

**ANTIDRIP SYSTEM** Weldable PVC profile on the upper part of the canvas for lateral rainwater retention. This PVC profile is welded to each far side of a pitched roof canopy to prevent water from dripping over the sides and forces the water to shed into the gutter system.

**ANTISPRAY PROFILE** PVC profile inserted on the lateral side of the runner for retention of rainwater spray. Always in addition to the **ANTIDRIP SYSTEM**. The AntiSpray prevents water from a heavy downpour from "splashing" over the AntiDrip profile and dripping over the sides.

**MOTORIZATION** All Pergotenda® are motorized, giving you complete control at the touch of a button.

**HOOD** The Protective Hood Cover is an aluminum corrugated standing seam cover that is positioned where the unit mounts to the wall or at the back of the unit on a Freestanding model for the purpose of protecting the Roof Canopy Swags that created when the roof retracts and to prevent any water or debris from collecting in the swags. The Protective Hood Cover is powder coated for longevity.

## OPTIONS

**ADD-ON INTERMEDIATE SUPPORT TUBE** Used to reduce the height of the canopy swag when the roof unit is retracted, usually for purposes of clearing a door opening or a window. Only two (2) tubes total may be added to any single roof canopy.

**ADD-ON RUNNER** The mechanical Runner is the equivalent of roof truss or rafter and is what the roof canopy is attached to. Adding a Runner is considered when the roof pitch angle needs to be reduced to properly shed water and manage it into the gutter systems. Adding a runner may also be considered to reduce the pitch of the roof for design purposes as well.

**FAUX CEILING** A unique option that hangs a colorful fabric beneath the roofing material to add warmth and atmosphere to the room. The Faux Ceiling fabric can provide for an excellent opportunity to blend other colors or materials that are part of furnishings or cushions. The softer fabric material may also be a benefit in reducing noise or providing other minimal acoustic properties to dampen surrounding noise. This option will depend on the type of fabric. The Faux Ceiling fabric generally must be from the Corradi USA collection or an approved alternate.

**FRONT BEAM** Finishing aluminum profile for the closing application. Required in order to strengthen the structure with a projection over 157", but not necessary if front screens (Stratus) are applied.

**GABLE (pitched versions only)** A fixed fabric portion used to enclose the angled gap on both sides of a pitched system when using screens.

**LIGHTING** The Pergotenda® lighting system is a custom designed system that seamlessly integrates into the Pergotenda® intermediate tubes.

**PITCHED OR FLAT** Both pitched (angled) roof and flat roof options are available for the Impact.

**RETRACTABLE GUTTER** Extruded aluminum profile for rainwater collection, only for pitched versions, fixed to the end support tube. One drainage per runner. Down pipes not provided. The gutters moves with the roof canopy and has downspouts that merge into a CNC cut in each front supporting post.

**STRATUS SCREEN** An exterior screen specifically designed to integrate into most Pergotenda® systems for complete enclosure that assists in protection from the elements and gives the option of privacy.

**TRAPEZOIDAL FABRIC (flat versions only)** An alternative drainage option for flat systems to let you control which side of the system you want rain to fall off.

**UNDERSIDE DRIP-COLLECTION RIM (flat versions only)** Welded PVC profile on the underside of the roof canopy to channel water into the side gutters and to prevent water from running along the underside of the roof canopy and dripping down.

**WALL OR CEILING MOUNT** Available mounted to a wall or ceiling.

## FRAME COLORS

### POWDER COATING\*

The aluminum extrusions are painted with certified Qualicoat cycle epoxy powders. The support tubes come in: White Quartz, Glacier, & Beach Sand to match with the Eclissi fabric.



WHITE QUARTZ



ANTHRACITE



CARBON



GLACIER



BEACH SAND



DUNE



GRANITE



CORTEN



URBAN BRONZE

\*RAL CUSTOM COLOR POWDER COATING IS ALSO AVAILABLE

Due to print variation these finish images should not be used for final production specifications.

## FABRICS

### ECLISSI BLACKOUT FABRIC

Eclissi is fabric exclusively used by Corradi USA for any Pergotenda® structures. It is a High tenacity 1100 Dtex Polyester base fabric with PVC laminate. The embossed finishing on the inner side gives a textile appearance and a dynamic weft effect on the surface. Outer side anti-dust acrylic lacquered. This unique 4-ply material has a blackout layer that also acts as a radiant barrier, providing superior heat resistance and heat gain as compared to other textiles used in these types of applications. It is available in 3 colors:



ECLISSI WHITE



ECLISSI GREY



ECLISSI IVORY

## OTHER RETRACTABLE ROOF FABRICS AVAILABLE

### FERRARI SOLTIS W96

A waterproof, transparent fabric that provides excellent luminosity as well as protection from the elements. Lightweight, durable and 100% recyclable. It is available in 13 colors.

### FERRARI 502

A waterproof vinyl fabric with permanent translucence and a sophisticated satin finish that provides heat and weather protection along with high UV resistance. Lightweight, durable and 100% recyclable. Available in 40 colors.

### FERRARI SOLTIS 92

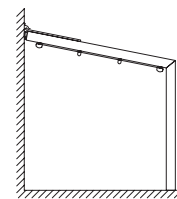
Greater thermal protection with optimal visual and lighting comfort. Harsh weather and UV resistant. Lightweight, durable and 100% recyclable. Not waterproof. Available in 48 colors.

### FERRARI SOLTIS 86

Perfect balance between thermal protection and visual comfort. Excellent outward visibility. Lightweight, durable and 100% recyclable. Weather and UV resistant. Not waterproof. Available in 26 colors.

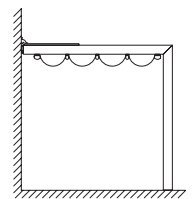
## MOTORS

### RADIO CONTROLLED DUNKER D839



PITCHED MAX DIMENSIONS

	Width	Projection
2 runner	177"	232"
3 runner	354"	232"
4 runner	512"	232"
5 runner*	512"	232"



FLAT MAX DIMENSIONS

	Width	Projection
2 runner	138"	236"
3 runner	276"	236"
4 runner	413"	236"

\*5 runner available pitched only

Note: when pitched and has 4 to 5 runners, system will require 2 motors.

# PERGOTENDA® KUBO



The only aluminum modular Pergotenda® with all the bells and whistles. The Kubo can be either freestanding or wall mounted, as well as adjoined with other Kubos to make it easy to cover large spaces.

KUBO is a retractable, self-supporting or wall mounted cover system custom made to protect against sun and rain. It consists of an aluminum structure and a folding canvas. The fabric is supported by intermediate supporting tubes (1.6"x2") and terminal bars (3.2"x2") set parallel to one another every 20" approximately. The canvas moves by sliding on the runners (2"x3.5") on carriers with 6 asymmetrical wheels with a capacity of about 1000 lbs each. The toothed transmission belt has stainless steel cables and resists a saline environment; the tensile strength is of 2000 lbs at break; the transmission belt is inserted in each runner, controlled by the drive pulley and a single drive shaft that guarantees the smooth movement of the canvas. The KUBO system is operated by a radio-controlled Dunker D839 motor. Aluminum tubular structure 4.8"x4.8". Perimeter paneling is 0.2" thick, white opal methacrylate. Hardware and accessories are 304 stainless steel. While Corradi USA Inc possesses a great deal of data related to engineering for the Pergotenda® product line that is related to wind ratings and load data that has been developed through specific product tests, case studies and IBC testing. It is understood that when required and due to the custom nature of our projects, engineering must be project specific and adhere to the rules and regulations at the local level where such a project shall be planned and installed.

## FEATURES

**ANTIDRIP SYSTEM** Weldable PVC profile on the upper part of the canvas for lateral rainwater retention. This PVC profile is welded to each far side of a pitched roof canopy to prevent water from dripping over the sides and forces the water to shed into the gutter system.

**ANTISPRAY PROFILE** PVC profile inserted on the lateral side of the runner for retention of rainwater spray. Always in addition to the **ANTIDRIP SYSTEM**. The AntiSpray prevents water from a heavy downpour from "splashing" over the AntiDrip profile and dripping over the sides.

**FLAT ONLY** The Kubo is only available flat.

**MODULAR** System modules can be connected for exponentially greater coverage.

**MOTORIZATION** All Pergotenda® are motorized, giving you complete control at the touch of a button.

**HOOD** The Protective Hood Cover is an aluminum corrugated standing seam cover that is positioned where the unit mounts to the wall or at the back of the unit on a Freestanding model for the purpose of protecting the Roof Canopy Swags that created when the roof retracts and to prevent any water or debris from collecting in the swags. The Protective Hood Cover is powder coated for longevity.

## OPTIONS

**ADD-ON INTERMEDIATE SUPPORT TUBE** Used to reduce the height of the canopy swag when the roof unit is retracted, usually for purposes of clearing a door opening or a window. Only two (2) tubes total may be added to any single roof canopy.

**ADD-ON RUNNER** The mechanical Runner is the equivalent of roof truss or rafter and is what the roof canopy is attached to. The Kubo may have up to a maximum of 4 runners.

**FAUX CEILING** A unique option that hangs a colorful fabric beneath the roofing material to add warmth and atmosphere to the room. The Faux Ceiling fabric can provide for an excellent opportunity to blend other colors or materials that are part of furnishings or cushions. The softer fabric material may also be a benefit in reducing noise or providing other minimal acoustic properties to dampen surrounding noise. This option will depend on the type of fabric. The Faux Ceiling fabric generally must be from the Corradi USA collection or an approved alternate.

**GABLE** (pitched versions only) A fixed fabric portion used to enclose the angled gap on both sides of a pitched system when using screens.

**LIGHTING** The Pergotenda® lighting system is a custom designed system that seamlessly integrates into the Pergotenda® intermediate tubes.

**RETRACTABLE GUTTER** Extruded aluminum profile for rainwater collection, only for pitched versions, fixed to the end support tube. One drainage per runner. Down pipes not provided. The gutters moves with the roof canopy and has downspouts that merge into a CNC cut in each front supporting post.

**STRATUS SCREEN** An exterior screen specifically designed to integrate into most Pergotenda® systems for complete enclosure that assists in protection from the elements and gives the option of privacy.

**TRAPEZOIDAL FABRIC** (flat versions only) An alternative drainage option for flat systems to let you control which side of the system you want rain to fall off.

**UNDERSIDE DRIP-COLLECTION RIM** (flat versions only) Welded PVC profile on the underside of the roof canopy to channel water into the side gutters and to prevent water from running along the underside of the roof canopy and dripping down.

**FREESTANDING OR WALL MOUNT** Can be attached to wall or self supporting.

## FRAME COLORS

### POWDER COATING\*

The aluminum extrusions are painted with certified Qualicoat cycle epoxy powders. The support tubes come in: White Quartz, Glacier, & Beach Sand to match with the Eclissi fabric.



WHITE QUARTZ



ANTHRACITE



CARBON



GLACIER



BEACH SAND



DUNE



GRANITE



CORTEN



URBAN BRONZE

\*RAL CUSTOM COLOR POWDER COATING IS ALSO AVAILABLE

Due to print variation these finish images should not be used for final production specifications.

## FABRICS

### ECLISSI BLACKOUT FABRIC

Eclissi is fabric exclusively used by Corradi USA for any Pergotenda® structures. It is a High tenacity 1100 Dtex Polyester base fabric with PVC laminate. The embossed finishing on the inner side gives a textile appearance and a dynamic weft effect on the surface. Outer side anti-dust acrylic lacquered. This unique 4-ply material has a blackout layer that also acts as a radiant barrier, providing superior heat resistance and heat gain as compared to other textiles used in these types of applications. It is available in 3 colors:



ECLISSI WHITE



ECLISSI GREY



ECLISSI IVORY

## OTHER RETRACTABLE ROOF FABRICS AVAILABLE

### FERRARI SOLTIS W96

A waterproof, transparent fabric that provides excellent luminosity as well as protection from the elements. Lightweight, durable and 100% recyclable. It is available in 13 colors.

### FERRARI 502

A waterproof vinyl fabric with permanent translucence and a sophisticated satin finish that provides heat and weather protection along with high UV resistance. Lightweight, durable and 100% recyclable. Available in 40 colors.

### FERRARI SOLTIS 92

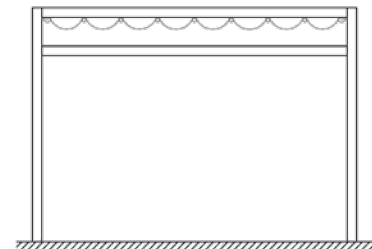
Greater thermal protection with optimal visual and lighting comfort. Harsh weather and UV resistant. Lightweight, durable and 100% recyclable. Not waterproof. Available in 48 colors.

### FERRARI SOLTIS 86

Perfect balance between thermal protection and visual comfort. Excellent outward visibility. Lightweight, durable and 100% recyclable. Weather and UV resistant. Not waterproof. Available in 26 colors.

## MOTORS

### RADIO CONTROLLED DUNKER D839



FLAT (only) MAX DIMENSIONS  
(1 MODULE)

	Width	Projection
2 runner	138"	236"
3 runner	276"	236"
4 runner	413"	236"

# PERGOTENDA® B SPACE



The largest aluminum Pergotenda® system available. The B Space has all the function and options of any wall mounted aluminum Pergotenda®, but on a grander scale.

Pergotenda® B Space is a larger wall mounted retractable covering system custom made to size for the protection from sun and rain. It consists of an aluminum structure and a folding canvas. The canvas is supported by intermediate tubes (1.6"x2") and terminals (3.2"x2") set parallel to one another approximately every 24". The canvas moves by sliding on runners with anti-spray profile integrated by means of sliders on 6 asymmetrically arranged wheels with a capacity over 1000 lbs each. The toothed transmission belt contains stainless steel cables and resists a salt water environment; the tensile strength is of 2000 lbs at break; the transmission belt is inserted in each runner, controlled by the notched pulley and a single drive shaft and guarantees the smooth forward movement of the canvas. The Pergotenda® B Space system is operated by a radio-controlled Dunker D839 motor. Hardware and accessories are 304 stainless steel. While Corradi USA Inc possesses a great deal of data related to engineering for the Pergotenda product line that is related to wind ratings and load data that has been developed through specific product tests, case studies and IBC testing. It is understood that when required and due to the custom nature of our projects, engineering must be project specific and adhere to the rules and regulations at the local level where such a project shall be planned and installed.

## FEATURES

**ANTIDRIP SYSTEM** Weldable PVC profile on the upper part of the canvas for lateral rainwater retention. This PVC profile is welded to each far side of a pitched roof canopy to prevent water from dripping over the sides and forces the water to shed into the gutter system.

**ANTISPRAY PROFILE** PVC profile inserted on the lateral side of the runner for retention of rainwater spray. Always in addition to the **ANTIDRIP SYSTEM**. The AntiSpray prevents water from a heavy downpour from "splashing" over the AntiDrip profile and dripping over the sides.

**MOTORIZATION** All Pergotenda® are motorized, giving you complete control at the touch of a button.

**HOOD** The Protective Hood Cover is an aluminum corrugated standing seam cover that is positioned where the unit mounts to the wall or at the back of the unit on a Freestanding model for the purpose of protecting the Roof Canopy Swags that created when the roof retracts and to prevent any water or debris from collecting in the swags. The Protective Hood Cover is powder coated for longevity.

## OPTIONS

**ADD-ON INTERMEDIATE SUPPORT TUBE** Used to reduce the height of the canopy swag when the roof unit is retracted, usually for purposes of clearing a door opening or a window. Only two (2) tubes total may be added to any single roof canopy.

**ADD-ON RUNNER** The mechanical Runner is the equivalent of roof truss or rafter and is what the roof canopy is attached to. Adding a Runner is considered when the roof pitch angle needs to be reduced to properly shed water and manage it into the gutter systems. Adding a runner may also be considered to reduce the pitch of the roof for design purposes as well.

**FAUX CEILING** A unique option that hangs a colorful fabric beneath the roofing material to add warmth and atmosphere to the room. The Faux Ceiling fabric can provide for an excellent opportunity to blend other colors or materials that are part of furnishings or cushions. The softer fabric material may also be a benefit in reducing noise or providing other minimal acoustic properties to dampen surrounding noise. This option will depend on the type of fabric. The Faux Ceiling fabric generally must be from the Corradi USA collection or an approved alternate.

**FRONT BEAM** Finishing aluminum profile for the closing application. Required in order to strengthen the structure with a projection over 157", but not necessary if front screens (Stratus) are applied.

**GABLE** (pitched versions only) A fixed fabric portion used to enclose the angled gap on both sides of a pitched system when using screens.

**LIGHTING** The Pergotenda® lighting system is a custom designed system that seamlessly integrates into the Pergotenda® intermediate tubes.

**PITCHED OR FLAT** Both pitched (angled) roof and flat roof options are available for the Impact.

**RETRACTABLE GUTTER** Extruded aluminum profile for rainwater collection, only for pitched versions, fixed to the end support tube. One drainage per runner. Down pipes not provided. The gutters moves with the roof canopy and has downspouts that merge into a CNC cut in each front supporting post.

**STRATUS SCREEN** An exterior screen specifically designed to integrate into most Pergotenda® systems for complete enclosure that assists in protection from the elements and gives the option of privacy.

**TRAPEZOIDAL FABRIC** (flat versions only) An alternative drainage option for flat systems to let you control which side of the system you want rain to fall off.

**UNDERSIDE DRIP-COLLECTION RIM** (flat versions only) Welded PVC profile on the underside of the roof canopy to channel water into the side gutters and to prevent water from running along the underside of the roof canopy and dripping down.

**WALL OR CEILING MOUNT** Available mounted to a wall or ceiling.

## FRAME COLORS

### POWDER COATING\*

The aluminum extrusions are painted with certified Qualicoat cycle epoxy powders. The support tubes come in: White Quartz, Glacier, & Beach Sand to match with the Eclissi fabric.



WHITE QUARTZ



ANTHRACITE



CARBON



GLACIER



BEACH SAND



DUNE



GRANITE



CORTEN



URBAN BRONZE

\*RAL CUSTOM COLOR POWDER COATING IS ALSO AVAILABLE

Due to print variation these finish images should not be used for final production specifications.

## FABRICS

### ECLISSI BLACKOUT FABRIC

Eclissi is fabric exclusively used by Corradi USA for any Pergotenda® structures. It is a High tenacity 1100 Dtex Polyester base fabric with PVC laminate. The embossed finishing on the inner side gives a textile appearance and a dynamic weft effect on the surface. Outer side anti-dust acrylic lacquered. This unique 4-ply material has a blackout layer that also acts as a radiant barrier, providing superior heat resistance and heat gain as compared to other textiles used in these types of applications. It is available in 3 colors:



ECLISSI WHITE



ECLISSI GREY



ECLISSI IVORY

## OTHER RETRACTABLE ROOF FABRICS AVAILABLE

### FERRARI SOLTIS W96

A waterproof, transparent fabric that provides excellent luminosity as well as protection from the elements. Lightweight, durable and 100% recyclable. It is available in 13 colors.

### FERRARI 502

A waterproof vinyl fabric with permanent translucence and a sophisticated satin finish that provides heat and weather protection along with high UV resistance. Lightweight, durable and 100% recyclable. Available in 40 colors.

### FERRARI SOLTIS 92

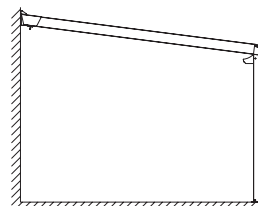
Greater thermal protection with optimal visual and lighting comfort. Harsh weather and UV resistant. Lightweight, durable and 100% recyclable. Not waterproof. Available in 48 colors.

### FERRARI SOLTIS 86

Perfect balance between thermal protection and visual comfort. Excellent outward visibility. Lightweight, durable and 100% recyclable. Weather and UV resistant. Not waterproof. Available in 26 colors.

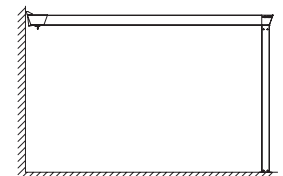
## MOTORS

### RADIO CONTROLLED DUNKER D839



PITCHED MAX DIMENSIONS

	Width	Projection
2 runner	177"	354"
3 runner	354"	354"
4 runner	512"	354"
5 runner*	512"	354"



FLAT MAX DIMENSIONS

	Width	Projection
2 runner	138"	354"
3 runner	276"	354"
4 runner	413"	354"

\*5 runner available pitched only

Note: when pitched and has 4 to 5 runners, system will require 2 motors.

# PERGOTENDA® EXYL



The Exyl is the most economical Pergotenda®. A minimal design to complement and cover any outdoor space.

Pergotenda® Exyl is a flat retractable covering system with rain water run-off at the sides custom made to primarily protect against sun, supported by structural steel pillars. It consists of an aluminum structure and a folding canvas. Fabric is supported by intermediate supporting tubes (1.5"x 2") and terminals (3.1"x2") set parallel to one another approximately every 20". It slides on runners (2.4"x4.7") on sliders with 6 misaligned wheels with maximum capacity of 1000 lbs each. The toothed drive belt inserted in each runner, with strands that are completely covered to resist even in sea air, is driven by a pulley and a single transmission shaft to guarantee the uniform movement of the canvas. The breaking drive load of each belt is 2000 lbs. The Pergotenda® Exyl Freestanding system is operated by a radio-controlled Dunker D839 motor. Aluminum tubular structure is 2.4"x4.7" and 2.4"x2.4". Hardware and accessories are 304 stainless steel. While Corradi USA Inc possesses a great deal of data related to engineering for the Pergotenda product line that is related to wind ratings and load data that has been developed through specific product tests, case studies and IBC testing. It is understood that when required and due to the custom nature of our projects, engineering must be project specific and adhere to the rules and regulations at the local level where such a project shall be planned and installed.

## FEATURES

**FLAT ONLY** The Exyl is only available flat.

**MOTORIZATION** All Pergotenda® are motorized, giving you complete control at the touch of a button.

## OPTIONS

**ADD-ON INTERMEDIATE SUPPORT TUBE** Used to reduce the height of the canopy swag when the roof unit is retracted, usually for purposes of clearing a door opening or a window. Only two (2) tubes total may be added to any single roof canopy.

**ADD-ON RUNNER** The mechanical Runner is the equivalent of roof truss or rafter and is what the roof canopy is attached to. Adding a runner may be considered to reduce the pitch of the roof for design purposes as well.

**FREESTANDING OR WALL MOUNT** Can be attached to wall or self supporting.

**UNDERSIDE DRIP-COLLECTION RIM** (*flat versions only*) Welded PVC profile on the underside of the roof canopy to channel water into the side gutters and to prevent water from running along the underside of the roof canopy and dripping down.

## FRAME COLORS

### POWDER COATING\*

The aluminum extrusions are painted with certified Qualicoat cycle epoxy powders. The support tubes come in: White Quartz, Glacier, & Beach Sand to match with the Eclissi fabric.



WHITE QUARTZ



ANTHRACITE



CARBON



GLACIER



BEACH SAND



DUNE



GRANITE



CORTEN



URBAN BRONZE

\*RAL CUSTOM COLOR POWDER COATING IS ALSO AVAILABLE

Due to print variation these finish images should not be used for final production specifications.

## FABRICS

### ECLISSI BLACKOUT FABRIC

Eclissi is fabric exclusively used by Corradi USA for any Pergotenda® structures. It is a High tenacity 1100 Dtex Polyester base fabric with PVC laminate. The embossed finishing on the inner side gives a textile appearance and a dynamic weft effect on the surface. Outer side anti-dust acrylic lacquered. This unique 4-ply material has a blackout layer that also acts as a radiant barrier, providing superior heat resistance and heat gain as compared to other textiles used in these types of applications. It is available in 3 colors:



ECLISSI WHITE



ECLISSI GREY



ECLISSI IVORY

## OTHER RETRACTABLE ROOF FABRICS AVAILABLE

### FERRARI SOLTIS W96

A waterproof, transparent fabric that provides excellent luminosity as well as protection from the elements. Lightweight, durable and 100% recyclable. It is available in 13 colors.

### FERRARI 502

A waterproof vinyl fabric with permanent translucence and a sophisticated satin finish that provides heat and weather protection along with high UV resistance. Lightweight, durable and 100% recyclable. Available in 40 colors.

### FERRARI SOLTIS 92

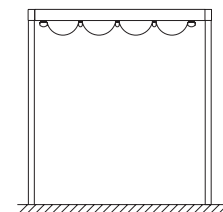
Greater thermal protection with optimal visual and lighting comfort. Harsh weather and UV resistant. Lightweight, durable and 100% recyclable. Not waterproof. Available in 48 colors.

### FERRARI SOLTIS 86

Perfect balance between thermal protection and visual comfort. Excellent outward visibility. Lightweight, durable and 100% recyclable. Weather and UV resistant. Not waterproof. Available in 26 colors.

## MOTORS

### RADIO CONTROLLED DUNKER D839



FREESTANDING  
MAX DIMENSIONS  
(FLAT ONLY)

	Width	Projection
2 runner	138"	236"
3 runner	276"	236"
4 runner	413"	236"

# PERGOTENDA® 45



The PT45 is our most traditional wood Pergotenda® design. With the established look of a wooden frame and the modern twist of the retractable roof, the PT45 has the ability to harmonize with any outdoor environment.

PT 45 is a wall mounted retractable cover system custom made to protect against sun and rain. It consists of a laminated wood structure and a folding canvas. The fabric is supported by intermediate supporting tubes (1.6"x2") and terminal bars (3.2"x2") set parallel to one another every 24 inches approximately on pitched version and every 20 inches approximately on flat version. The canvas moves by sliding on the runners (2"x3.5") on carriers with 6 asymmetrical wheels with a capacity of about 1000 lbs each. The toothed transmission belt has stainless steel cables and resists a saline environment; the tensile strength is of 2000 lbs at break; the transmission belt is inserted in each runner, controlled by the drive pulley and a single drive shaft that guarantees the smooth movement of the canvas. The PT45 system is operated by a radio-controlled Dunker D839 motor. The structure, in autoclave treated Scandinavian pine wood (class 3 - UNI EN 335-3), is available in 1.8"x4.8", 1.8"x6", 3.5"x3.5", and 3.5"x4.8" sections. The aluminum runners, concealed in the wood rafters. Hardware and accessories are 304 stainless steel. While Corradi USA Inc possesses a great deal of data related to engineering for the Pergotenda® product line that is related to wind ratings and load data that has been developed through specific product tests, case studies and IBC testing. It is understood that when required and due to the custom nature of our projects, engineering must be project specific and adhere to the rules and regulations at the local level where such a project shall be planned and installed.

## FEATURES

**ANTIDRIP SYSTEM** Weldable PVC profile on the upper part of the canvas for lateral rainwater retention. This PVC profile is welded to each far side of a pitched roof canopy to prevent water from dripping over the sides and forces the water to shed into the gutter system.

**ANTISPRAY PROFILE** PVC profile inserted on the lateral side of the runner for retention of rainwater spray. Always in addition to the **ANTIDRIP SYSTEM**. The AntiSpray prevents water from a heavy downpour from "splashing" over the AntiDrip profile and dripping over the sides.

**MOTORIZATION** All Pergotenda® are motorized, giving you complete control at the touch of a button.

**HOOD** The Protective Hood Cover is an aluminum corrugated standing seam cover that is positioned where the unit mounts to the wall or at the back of the unit on a Freestanding model for the purpose of protecting the Roof Canopy Swags that created when the roof retracts and to prevent any water or debris from collecting in the swags. The Protective Hood Cover is powder coated for longevity.

## OPTIONS

**ADD-ON INTERMEDIATE SUPPORT TUBE** Used to reduce the height of the canopy swag when the roof unit is retracted, usually for purposes of clearing a door opening or a window. Only two (2) tubes total may be added to any single roof canopy.

**ADD-ON RUNNER** The mechanical Runner is the equivalent of roof truss or rafter and is what the roof canopy is attached to. Adding a Runner is considered when the roof pitch angle needs to be reduced to properly shed water and manage it into the gutter systems. Adding a runner may also be considered to reduce the pitch of the roof for design purposes as well.

**FAUX CEILING** A unique option that hangs a colorful fabric beneath the roofing material to add warmth and atmosphere to the room. The Faux Ceiling fabric can provide for an excellent opportunity to blend other colors or materials that are part of furnishings or cushions. The softer fabric material may also be a benefit in reducing noise or providing other minimal acoustic properties to dampen surrounding noise. This option will depend on the type of fabric. The Faux Ceiling fabric generally must be from the Corradi USA collection or an approved alternate.

**GABLE** (pitched versions only) A fixed fabric portion used to enclose the angled gap on both sides of a pitched system when using screens.

**LIGHTING** The Pergotenda® lighting system is a custom designed system that seamlessly integrates into the Pergotenda® intermediate tubes.

**PITCHED OR FLAT** Both pitched (angled) roof and flat roof options are available for the Impact.

**FIXED GUTTER** (pitched versions only) Extruded aluminum profile for rainwater collection fixed to the end support tube. Down pipes and accessories included.

**STRATUS SCREEN** An exterior screen specifically designed to integrate into most Pergotenda® systems for complete enclosure that assists in protection from the elements and gives the option of privacy.

**TRAPEZOIDAL FABRIC** (flat versions only) An alternative drainage option for flat systems to let you control which side of the system you want rain to fall off.

**UNDERSIDE DRIP-COLLECTION RIM** (flat versions only) Welded PVC profile on the underside of the roof canopy to channel water into the side gutters and to prevent water from running along the underside of the roof canopy and dripping down.

**WALL OR CEILING MOUNT** Available mounted to a wall or ceiling.

## FRAME COLORS

### WOOD STAIN\*

Scandinavian laminar pine wood used for wood Pergotenda® is structurally composed of layers glued together with adhesives that resist humidity. Pressure treated with mineral salts in an autoclave significantly increasing resistance to biological degradation. The support tubes come in: White Quartz, Glacier, & Beach Sand to match with the Eclissi fabric.



CHESTNUT



WALNUT



ANTHRACITE



WHITE

\*CUSTOM COLOR PAINTING IS ALSO AVAILABLE

Due to print variation these finish images should not be used for final production specifications.

## FABRICS

### ECLISSI BLACKOUT FABRIC

Eclissi is fabric exclusively used by Corradi USA for any Pergotenda® structures. It is a High tenacity 1100 Dtex Polyester base fabric with PVC laminate. The embossed finishing on the inner side gives a textile appearance and a dynamic weft effect on the surface. Outer side anti-dust acrylic lacquered. This unique 4-ply material has a blackout layer that also acts as a radiant barrier, providing superior heat resistance and heat gain as compared to other textiles used in these types of applications. It is available in 3 colors:



ECLISSI WHITE



ECLISSI GREY



ECLISSI IVORY

## OTHER RETRACTABLE ROOF FABRICS AVAILABLE

### FERRARI SOLTIS W96

A waterproof, transparent fabric that provides excellent luminosity as well as protection from the elements. Lightweight, durable and 100% recyclable. It is available in 13 colors.

### FERRARI 502

A waterproof vinyl fabric with permanent translucence and a sophisticated satin finish that provides heat and weather protection along with high UV resistance. Lightweight, durable and 100% recyclable. Available in 40 colors.

### FERRARI SOLTIS 92

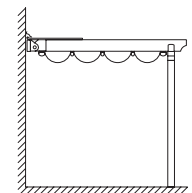
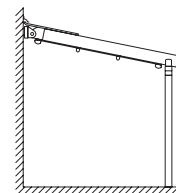
Greater thermal protection with optimal visual and lighting comfort. Harsh weather and UV resistant. Lightweight, durable and 100% recyclable. Not waterproof. Available in 48 colors.

### FERRARI SOLTIS 86

Perfect balance between thermal protection and visual comfort. Excellent outward visibility. Lightweight, durable and 100% recyclable. Weather and UV resistant. Not waterproof. Available in 26 colors.

## MOTORS

### RADIO CONTROLLED DUNKER D839



#### PITCHED MAX DIMENSIONS

	Width	Projection
2 runner	177"	232"
3 runner	354"	232"
4 runner	512"	232"
5 runner*	512"	232"

#### FLAT MAX DIMENSIONS

	Width	Projection
2 runner	138"	236"
3 runner	276"	236"
4 runner	413"	236"

\*5 runner available pitched only

Note: when pitched and has 4 to 5 runners, system will require 2 motors.

# PERGOTENDA® 60



The most spacious wood Pergotenda® system available. The wall mounted PT60 has all the function and options of any wall mounted wood Pergotenda®, but on a greater scale.

PT 60 is a larger wall mounted retractable cover system custom made to protect against sun and rain. It consists of a laminated wood structure and a folding canvas. The fabric is supported by intermediate supporting tubes (1.6"x2") and terminal bars (3.2"x2") set parallel to one another every 24 inches approximately on pitched version and every 20 inches approximately on flat version. The canvas moves by sliding on the runners (2"x3.5") on carriers with 6 asymmetrical wheels with a capacity of about 1000 lbs each. The toothed transmission belt has stainless steel cables and resists a saline environment; the tensile strength is of 2000 lbs at break; the transmission belt is inserted in each runner, controlled by the drive pulley and a single drive shaft that guarantees the smooth movement of the canvas. The PT60 system is operated by a radio-controlled Dunker D839 motor. The structure, in autoclave treated Scandinavian pine wood (class 3 - UNI EN 335-3), is available in 1.8"x6", 2.4"x8.6", 4.8"x7", and 4.8"x4.8" sections. The aluminum runners are concealed in the wood rafters. Hardware and accessories are 304 stainless steel. While Corradi USA Inc possesses a great deal of data related to engineering for the Pergotenda® product line that is related to wind ratings and load data that has been developed through specific product tests, case studies and IBC testing. It is understood that when required and due to the custom nature of our projects, engineering must be project specific and adhere to the rules and regulations at the local level where such a project shall be planned and installed.

## FEATURES

**ANTIDRIP SYSTEM** Weldable PVC profile on the upper part of the canvas for lateral rainwater retention. This PVC profile is welded to each far side of a pitched roof canopy to prevent water from dripping over the sides and forces the water to shed into the gutter system.

**ANTISPRAY PROFILE** PVC profile inserted on the lateral side of the runner for retention of rainwater spray. Always in addition to the **ANTIDRIP SYSTEM**. The AntiSpray prevents water from a heavy downpour from "splashing" over the AntiDrip profile and dripping over the sides.

**MOTORIZATION** All Pergotenda® are motorized, giving you complete control at the touch of a button.

**HOOD** The Protective Hood Cover is an aluminum corrugated standing seam cover that is positioned where the unit mounts to the wall or at the back of the unit on a Freestanding model for the purpose of protecting the Roof Canopy Swags that created when the roof retracts and to prevent any water or debris from collecting in the swags. The Protective Hood Cover is powder coated for longevity.

## OPTIONS

**ADD-ON INTERMEDIATE SUPPORT TUBE** Used to reduce the height of the canopy swag when the roof unit is retracted, usually for purposes of clearing a door opening or a window. Only two (2) tubes total may be added to any single roof canopy.

**ADD-ON RUNNER** The mechanical Runner is the equivalent of roof truss or rafter and is what the roof canopy is attached to. Adding a Runner is considered when the roof pitch angle needs to be reduced to properly shed water and manage it into the gutter systems. Adding a runner may also be considered to reduce the pitch of the roof for design purposes as well.

**FAUX CEILING** A unique option that hangs a colorful fabric beneath the roofing material to add warmth and atmosphere to the room. The Faux Ceiling fabric can provide for an excellent opportunity to blend other colors or materials that are part of furnishings or cushions. The softer fabric material may also be a benefit in reducing noise or providing other minimal acoustic properties to dampen surrounding noise. This option will depend on the type of fabric. The Faux Ceiling fabric generally must be from the Corradi USA collection or an approved alternate.

**GABLE** (pitched versions only) A fixed fabric portion used to enclose the angled gap on both sides of a pitched system when using screens.

**FIXED GUTTER** (pitched versions only) Extruded aluminum profile for rainwater collection fixed to the end support tube. Down pipes and accessories included.

**LIGHTING** The Pergotenda lighting system is a custom designed system that seamlessly integrates into the Pergotenda® intermediate tubes.

**PITCHED OR FLAT** Both pitched (angled) roof and flat roof options are available for the Impact.

**STRATUS SCREEN** An exterior screen specifically designed to integrate into most Pergotenda® systems for complete enclosure that assists in protection from the elements and gives the option of privacy.

**TRAPEZOIDAL FABRIC** (flat versions only) An alternative drainage option for flat systems to let you control which side of the system you want rain to fall off.

**UNDERSIDE DRIP-COLLECTION RIM** (flat versions only) Welded PVC profile on the underside of the roof canopy to channel water into the side gutters and to prevent water from running along the underside of the roof canopy and dripping down.

**WALL OR CEILING MOUNT** Available mounted to a wall or ceiling.

## FRAME COLORS

### WOOD STAIN\*

Scandinavian laminar pine wood used for wood Pergotenda® is structurally composed of layers glued together with adhesives that resist humidity. Pressure treated with mineral salts in an autoclave significantly increasing resistance to biological degradation. The support tubes come in: White Quartz, Glacier, & Beach Sand to match with the Eclissi fabric.



CHESTNUT



WALNUT



ANTHRACITE



WHITE

\*CUSTOM COLOR PAINTING IS ALSO AVAILABLE

Due to print variation these finish images should not be used for final production specifications.

## FABRICS

### ECLISSI BLACKOUT FABRIC

Eclissi is fabric exclusively used by Corradi USA for any Pergotenda® structures. It is a High tenacity 1100 Dtex Polyester base fabric with PVC laminate. The embossed finishing on the inner side gives a textile appearance and a dynamic weft effect on the surface. Outer side anti-dust acrylic lacquered. This unique 4-ply material has a blackout layer that also acts as a radiant barrier, providing superior heat resistance and heat gain as compared to other textiles used in these types of applications. It is available in 3 colors:



ECLISSI WHITE



ECLISSI GREY



ECLISSI IVORY

## OTHER RETRACTABLE ROOF FABRICS AVAILABLE

### FERRARI SOLTIS W96

A waterproof, transparent fabric that provides excellent luminosity as well as protection from the elements. Lightweight, durable and 100% recyclable. It is available in 13 colors.

### FERRARI 502

A waterproof vinyl fabric with permanent translucence and a sophisticated satin finish that provides heat and weather protection along with high UV resistance. Lightweight, durable and 100% recyclable. Available in 40 colors.

### FERRARI SOLTIS 92

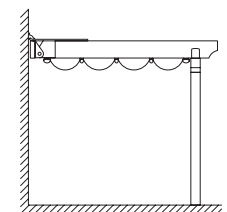
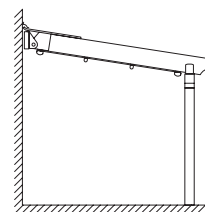
Greater thermal protection with optimal visual and lighting comfort. Harsh weather and UV resistant. Lightweight, durable and 100% recyclable. Not waterproof. Available in 48 colors.

### FERRARI SOLTIS 86

Perfect balance between thermal protection and visual comfort. Excellent outward visibility. Lightweight, durable and 100% recyclable. Weather and UV resistant. Not waterproof. Available in 26 colors.

## MOTORS

### RADIO CONTROLLED DUNKER D839



#### PITCHED MAX DIMENSIONS

	Width	Projection
2 runner	177"	307"
3 runner	354"	307"
4 runner	512"	307"
5 runner*	512"	307"

#### FLAT MAX DIMENSIONS

	Width	Projection
2 runner	138"	315"
3 runner	276"	315"
4 runner	413"	315"

\*5 runner available pitched only

Note: when pitched and has 4 to 5 runners, system will require 2 motors.

# PERGOTENDA® 100



The only modular wood Pergotenda® with all the possibilities. The PT100 can be either freestanding or wall mounted, pitched or flat, as well as adjoined with other PT100s to make it easy to cover large spaces.

PT 100 is a modular freestanding or wall mounted retractable covering system custom made to protect against sun and rain. It consists of a glulam wood structure and a folding canvas. The fabric is supported by intermediate tubes (1.6"x2") and terminals (3.2"x2") set parallel approximately every 20". It slides on guides (2" x 3.6") with patented sliders that have 6 asymmetrical wheels with a maximum capacity of 1000 lbs each. The toothed drive belt inserted in each guide, with strands that are completely covered to resist even in saline environments, is driven by a pulley and a single transmission shaft to guarantee the uniform movement of the canvas. The breaking drive load of each belt is 2,000 lbs. The PT100 system is operated by a radio-controlled Dunker D839 motor. The structure, in autoclave treated Scandinavian pine wood (class 3 - UNI EN 335-3), is available in 4.7"x4.7" section, with added possibility of choosing different structure and board. Hardware and accessories are 304 stainless steel. While Corradi USA Inc possesses a great deal of data related to engineering for the Pergotenda® product line that is related to wind ratings and load data that has been developed through specific product tests, case studies and IBC testing. It is understood that when required and due to the custom nature of our projects, engineering must be project specific and adhere to the rules and regulations at the local level where such a project shall be planned and installed.

## FEATURES

**ANTIDRIP SYSTEM** Weldable PVC profile on the upper part of the canvas for lateral rainwater retention. This PVC profile is welded to each far side of a pitched roof canopy to prevent water from dripping over the sides and forces the water to shed into the gutter system.

**ANTISPRAY PROFILE** PVC profile inserted on the lateral side of the runner for retention of rainwater spray. Always in addition to the **ANTIDRIP SYSTEM**. The AntiSpray prevents water from a heavy downpour from "splashing" over the AntiDrip profile and dripping over the sides.

**MODULAR** System modules can be connected for exponentially greater coverage.

**MOTORIZATION** All Pergotenda® are motorized, giving you complete control at the touch of a button.

**HOOD** The Protective Hood Cover is an aluminum corrugated standing seam cover that is positioned where the unit mounts to the wall or at the back of the unit on a Freestanding model for the purpose of protecting the Roof Canopy Swags that created when the roof retracts and to prevent any water or debris from collecting in the swags. The Protective Hood Cover is powder coated for longevity.

## OPTIONS

**ADD-ON INTERMEDIATE SUPPORT TUBE** Used to reduce the height of the canopy swag when the roof unit is retracted, usually for purposes of clearing a door opening or a window. Only two (2) tubes total may be added to any single roof canopy.

**ADD-ON RUNNER** The mechanical Runner is the equivalent of roof truss or rafter and is what the roof canopy is attached to. Adding a Runner is considered when the roof pitch angle needs to be reduced to properly shed water and manage it into the gutter systems. Adding a runner may also be considered to reduce the pitch of the roof for design purposes as well.

**FAUX CEILING** A unique option that hangs a colorful fabric beneath the roofing material to add warmth and atmosphere to the room. The Faux Ceiling fabric can provide for an excellent opportunity to blend other colors or materials that are part of furnishings or cushions. The softer fabric material may also be a benefit in reducing noise or providing other minimal acoustic properties to dampen surrounding noise. This option will depend on the type of fabric. The Faux Ceiling fabric generally must be from the Corradi USA collection or an approved alternate.

**FIXED GUTTER** (pitched versions only) Extruded aluminum profile for rainwater collection fixed to the end support tube. Down pipes and accessories included.

**LIGHTING** The Pergotenda® lighting system is a custom designed system that seamlessly integrates into the Pergotenda® intermediate tubes.

**PITCHED OR FLAT** Both pitched (angled) roof and flat roof options are available for the Impact.

**STRATUS SCREEN** An exterior screen specifically designed to integrate into most Pergotenda® systems for complete enclosure that assists in protection from the elements and gives the option of privacy.

**TRAPEZOIDAL FABRIC** (flat versions only) An alternative drainage option for flat systems to let you control which side of the system you want rain to fall off.

**UNDERSIDE DRIP-COLLECTION RIM** (flat versions only) Welded PVC profile on the underside of the roof canopy to channel water into the side gutters and to prevent water from running along the underside of the roof canopy and dripping down.

**FREESTANDING OR WALL MOUNT** Can be attached to wall or self supporting.

## FRAME COLORS

### WOOD STAIN\*

Scandinavian laminar pine wood used for wood Pergotenda® is structurally composed of layers glued together with adhesives that resist humidity. Pressure treated with mineral salts in an autoclave significantly increasing resistance to biological degradation. The support tubes come in: White Quartz, Glacier, & Beach Sand to match with the Eclissi fabric.



CHESTNUT



WALNUT



ANTHRACITE



WHITE

\*CUSTOM COLOR PAINTING IS ALSO AVAILABLE

Due to print variation these finish images should not be used for final production specifications.

## FABRICS

### ECLISSI BLACKOUT FABRIC

Eclissi is fabric exclusively used by Corradi USA for any Pergotenda® structures. It is a High tenacity 1100 Dtex Polyester base fabric with PVC laminate. The embossed finishing on the inner side gives a textile appearance and a dynamic weft effect on the surface. Outer side anti-dust acrylic lacquered. This unique 4-ply material has a blackout layer that also acts as a radiant barrier, providing superior heat resistance and heat gain as compared to other textiles used in these types of applications. It is available in 3 colors:



ECLISSI WHITE



ECLISSI GREY



ECLISSI IVORY

## OTHER RETRACTABLE ROOF FABRICS AVAILABLE

### FERRARI SOLTIS W96

A waterproof, transparent fabric that provides excellent luminosity as well as protection from the elements. Lightweight, durable and 100% recyclable. It is available in 13 colors.

### FERRARI 502

A waterproof vinyl fabric with permanent translucence and a sophisticated satin finish that provides heat and weather protection along with high UV resistance. Lightweight, durable and 100% recyclable. Available in 40 colors.

### FERRARI SOLTIS 92

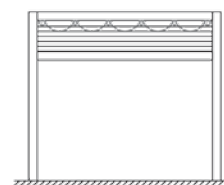
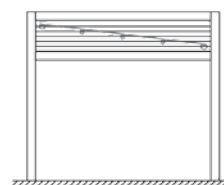
Greater thermal protection with optimal visual and lighting comfort. Harsh weather and UV resistant. Lightweight, durable and 100% recyclable. Not waterproof. Available in 48 colors.

### FERRARI SOLTIS 86

Perfect balance between thermal protection and visual comfort. Excellent outward visibility. Lightweight, durable and 100% recyclable. Weather and UV resistant. Not waterproof. Available in 26 colors.

## MOTORS

### RADIO CONTROLLED DUNKER D839



PITCHED MAX DIMENSIONS  
(1 MODULE)

	Width	Projection
2 runner	138"	276"
3 runner	276"	276"
4 runner	413"	276"

FLAT MAX DIMENSIONS  
(1 MODULE)

	Width	Projection
2 runner	138"	276"
3 runner	276"	276"
4 runner	413"	276"

\*Note: when pitched and has 4 runners, system will require 2 motors.  
5 runner is not available with the PT100 whether pitched or flat.

# PERGOTENDA® ARKO



The most unique wood Pergotenda® system creates an unobstructed view. The Arko is the only Pergotenda® that mounts to the wall without any pillar support.

The Arko is a wall mounted retractable cover system custom made to protect against sun and rain. It consists of a laminated wood structure and a folding canvas. The fabric is supported by intermediate supporting tubes (1.6"x2") and terminal bars (3.2"x2") set parallel to one another every 24" approximately on pitched version and every 20" approximately on flat version. The canvas moves by sliding on the runners (2"x3.5") on runners with 6 asymmetrical wheels with a capacity of about 1000 lbs each. The toothed transmission belt has stainless steel cables and resists a saline environment; the tensile strength is of 2000 lbs at break; the transmission belt is inserted in each runner, controlled by the drive pulley and a single drive shaft that guarantees the smooth movement of the canvas. The Arko system is operated by a radio-controlled Dunker D839 motor. The structure, in autoclave treated Scandinavian pine wood (class 3 - UNI EN 335-3), is available in 1.8"x6", 3.5"x4.8" sections. The aluminum runners are concealed in the wood rafters. Hardware and accessories are 304 stainless steel. While Corradi USA Inc possesses a great deal of data related to engineering for the Pergotenda product line that is related to wind ratings and load data that has been developed through specific product tests, case studies and IBC testing. It is understood that when required and due to the custom nature of our projects, engineering must be project specific and adhere to the rules and regulations at the local level where such a project shall be planned and installed.

## FEATURES

**ANTIDRIP SYSTEM** Weldable PVC profile on the upper part of the canvas for lateral rainwater retention. This PVC profile is welded to each far side of a pitched roof canopy to prevent water from dripping over the sides and forces the water to shed into the gutter system.

**ANTISPRAY PROFILE** PVC profile inserted on the lateral side of the runner for retention of rainwater spray. Always in addition to the **ANTIDRIP SYSTEM**. The AntiSpray prevents water from a heavy downpour from "splashing" over the AntiDrip profile and dripping over the sides.

**MOTORIZATION** All Pergotenda® are motorized, giving you complete control at the touch of a button.

**HOOD** The Protective Hood Cover is an aluminum corrugated standing seam cover that is positioned where the unit mounts to the wall or at the back of the unit on a Freestanding model for the purpose of protecting the Roof Canopy Swags that created when the roof retracts and to prevent any water or debris from collecting in the swags. The Protective Hood Cover is powder coated for longevity.

**WALL MOUNT** (only) Available mounted to a wall.

## OPTIONS

**ADD-ON INTERMEDIATE SUPPORT TUBE** Used to reduce the height of the canopy swag when the roof unit is retracted, usually for purposes of clearing a door opening or a window. Only two (2) tubes total may be added to any single roof canopy.

**ADD-ON RUNNER** The mechanical Runner is the equivalent of roof truss or rafter and is what the roof canopy is attached to. Adding a Runner is considered when the roof pitch angle needs to be reduced to properly shed water and manage it into the gutter systems. Adding a runner may also be considered to reduce the pitch of the roof for design purposes as well.

**LIGHTING** The Pergotenda® lighting system is a custom designed system that seamlessly integrates into the Pergotenda® intermediate tubes.

**FIXED GUTTER** (pitched versions only) Extruded aluminum profile for rainwater collection fixed to the end support tube. Down pipes and accessories included.

**FAUX CEILING** A unique option that hangs a colorful fabric beneath the roofing material to add warmth and atmosphere to the room. The Faux Ceiling fabric can provide for an excellent opportunity to blend other colors or materials that are part of furnishings or cushions. The softer fabric material may also be a benefit in reducing noise or providing other minimal acoustic properties to dampen surrounding noise. This option will depend on the type of fabric. The Faux Ceiling fabric generally must be from the Corradi USA collection or an approved alternate.

**RETRACTABLE GUTTER** Extruded aluminum profile for rainwater collection fixed to the end support tube. One drainage per runner.

## FRAME COLORS

### WOOD STAIN\*

Scandinavian laminar pine wood used for wood Pergotenda® is structurally composed of layers glued together with adhesives that resist humidity. Pressure treated with mineral salts in an autoclave significantly increasing resistance to biological degradation. The support tubes come in: White Quartz, Glacier, & Beach Sand to match with the Eclissi fabric.



CHESTNUT



WALNUT



ANTHRACITE



WHITE

\*CUSTOM COLOR PAINTING IS ALSO AVAILABLE

Due to print variation these finish images should not be used for final production specifications.

## FABRICS

### ECLISSI BLACKOUT FABRIC

Eclissi is fabric exclusively used by Corradi USA for any Pergotenda® structures. It is a High tenacity 1100 Dtex Polyester base fabric with PVC laminate. The embossed finishing on the inner side gives a textile appearance and a dynamic weft effect on the surface. Outer side anti-dust acrylic lacquered. This unique 4-ply material has a blackout layer that also acts as a radiant barrier, providing superior heat resistance and heat gain as compared to other textiles used in these types of applications. It is available in 3 colors:



ECLISSI WHITE



ECLISSI GREY



ECLISSI IVORY

## OTHER RETRACTABLE ROOF FABRICS AVAILABLE

### FERRARI SOLTIS W96

A waterproof, transparent fabric that provides excellent luminosity as well as protection from the elements. Lightweight, durable and 100% recyclable. It is available in 13 colors.

### FERRARI 502

A waterproof vinyl fabric with permanent translucence and a sophisticated satin finish that provides heat and weather protection along with high UV resistance. Lightweight, durable and 100% recyclable. Available in 40 colors.

### FERRARI SOLTIS 92

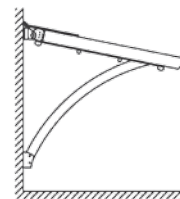
Greater thermal protection with optimal visual and lighting comfort. Harsh weather and UV resistant. Lightweight, durable and 100% recyclable. Not waterproof. Available in 48 colors.

### FERRARI SOLTIS 86

Perfect balance between thermal protection and visual comfort. Excellent outward visibility. Lightweight, durable and 100% recyclable. Weather and UV resistant. Not waterproof. Available in 26 colors.

## MOTORS

### RADIO CONTROLLED DUNKER D839



### PITCHED (only) MAX DIMENSIONS

	Width	Projection
2 runner	157"	157"
3 runner	315"	157"
4 runner	472"	157"

\*Note: When 4 runners, the Arko will require 2 motors.

The Arko is only available in pitched.

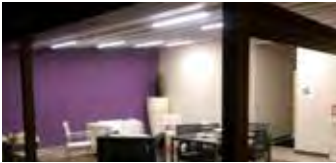
5 runner is not available with the Arko.

## STRATUS SCREEN



The Stratus is an exterior screen specifically designed to integrate into most Pergotenda® systems for complete enclosure that assists in protection from the elements and gives the option of privacy. The design of the Stratus is based off of our long-standing proprietary Summit exterior screen.

The Stratus is installed with specially designed jamb mount brackets that fit perfectly into any applicable Pergotenda® system. It is recommended to use Shyzip track for complete enclosure on a Pergotenda® unit. The Stratus is available both motorized or manual (*with some size restrictions*).



## LIGHTING

The Pergotenda® lighting system is a custom designed system that seamlessly integrates into the Pergotenda® intermediate tubes.

This superior lighting system adds atmosphere and even more control extending the usage hours of your outdoor space. The lighting system uses an IP 65 outdoor rated, monochromatic LED that is encased in beveled clear silicon cover and inserted into aluminum profile with frosted white polycarbonate diffuser.

Pergotenda® lights are supplied pre-wired to clear sleeve low voltage cable pigtailed with fully sealed waterproof end connections, for easy daisy chaining to additional strips. The power to the strips is supplied by dedicated extension cables with waterproof plugs and sockets, designed to guarantee a quick and secure hook-up both to the strips and single power supply unit, available and furnished in different wattages depending on the number of lighting strips used, up to a maximum of 24 fixtures total per power supply. The strips come with preapplied 3M adhesive back tape for outdoor use.

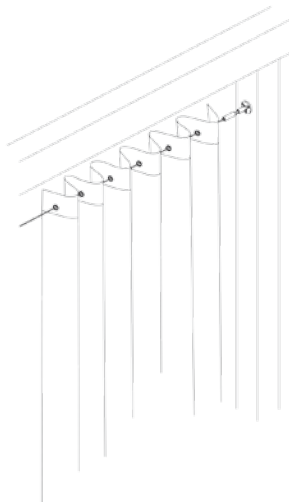
**Key features: IP 65 damp outdoor use, remote with 4 pre-set intensity levels and dimmer, 3400K warm white, 24V, plug-and-play ready, maximum practicality for easy retrofits, kit designed to perfectly integrate with every Pergotenda® system already installed.**



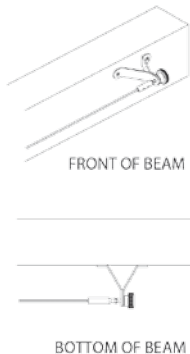
## CURTAINS

Corradi Curtains are a simple and elegant answer to easy shading. Made of 100% acrylic fabric for outdoor use, the curtains add personality as well as additional protection from the sun.

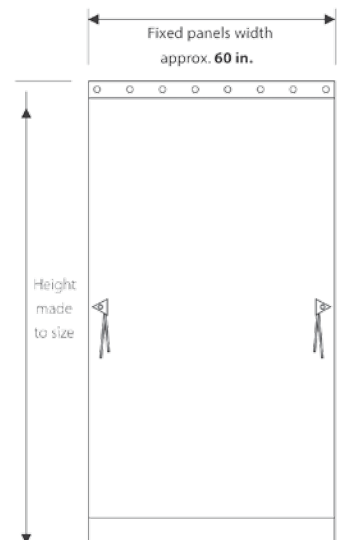
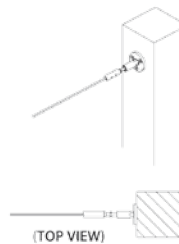
Decorative curtain with TEMPOTEST HOME or TEMPOTEST SHEER acrylic fabric



FACE MOUNT WITH BRACKET



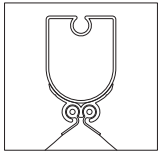
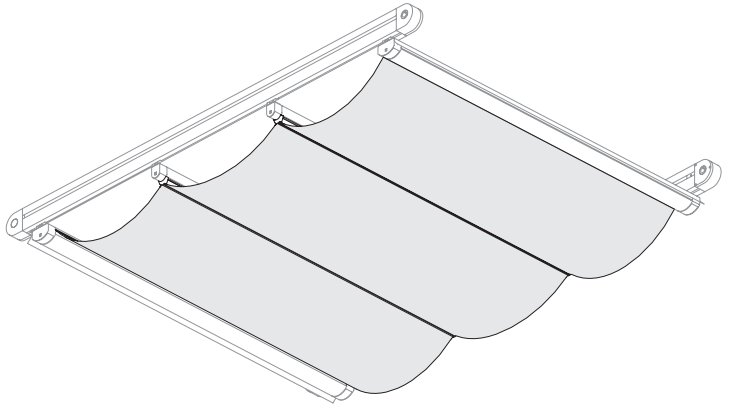
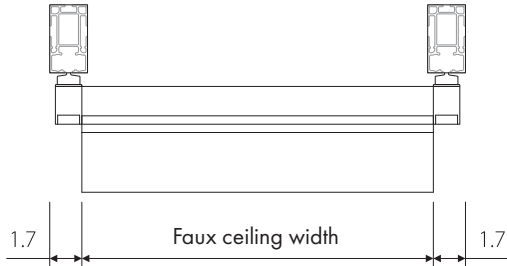
INSIDE MOUNT WITH PLATE



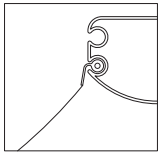


## FAUX CEILING

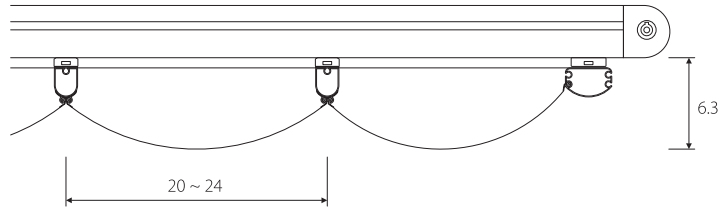
Faux ceilings are an adaptation of the intermediate tubes that make it possible to apply decorative canvas fabrics to the Pergotenda® Impact system. The Para Tempotest® Home Solids collection is the fabric used for Faux ceilings. It is a proprietary soft fashion fabric that is available in a variety of rich solid colors to help create ambiance to match any atmosphere you wish to create. See Para Tempotest® Home Solids fabric sample collection for reference.



CANVAS FIXED TO INTERMEDIATE SUPPORT TUBES

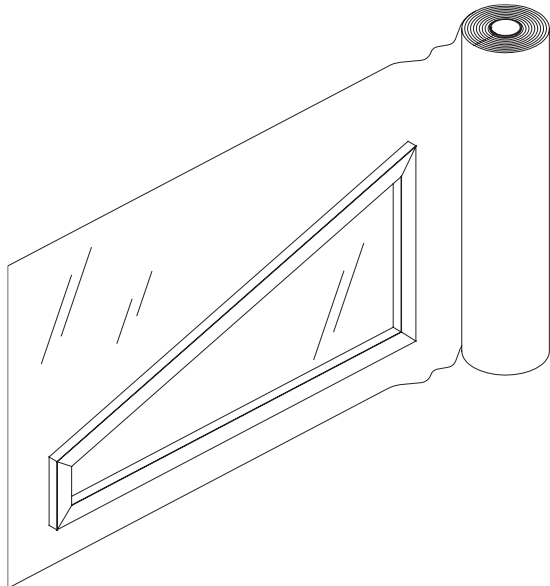
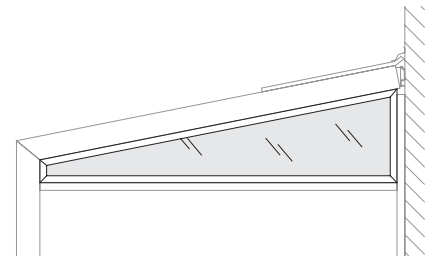


CANVAS FIXED TO END SUPPORT TUBES

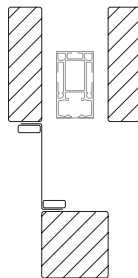


## GABLE

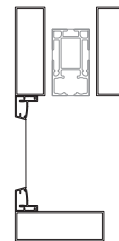
Finishing profiles for setting up the lateral triangular openings. Fabric custom cut to size on site not included. Side beams not included. Profiles supplied intact, corner cuts by installer.



PERGOTENDA® 45;  
PERGOTENDA® 60  
(wood profiles)



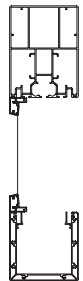
PERGOTENDA®  
IRIDIUM; MILLENIUM  
(aluminium profiles)



PERGOTENDA® IRIDIUM  
(aluminium profiles)



PERGOTENDA®  
B SPACE  
(aluminium profiles)





# SUNiQ

SMARTER OUTDOORS

SUNiQ is a new and innovative luxury outdoor living brand brought to you by a team with 30+ years experience in outdoor living and solar protection products. With cutting edge technology integrated into brilliant architecture, SUNiQ products make outdoor living not just a place, but a destination.



# SUNiQ SUMMIT



Corradi's leading cassette system, the Summit is adaptable to almost every outdoor shading situation.

The Summit is the industry's benchmark shading system exclusively manufactured and sold by Corradi USA. The base model is manual gear operated with a detachable clicking crank, no side tracks, and a round bottom bar. The headbox/cassette has the option of a curved front or square front. Upgrade track options include the ShyZip Spring fabric retention system or stainless steel cable guides for both manual or motorized.

The manual option includes a detachable clicking crank with an inconspicuous foldable handle. The detachable crank can be used on a manual shade up to the manual maximum length of 16' wide. Motor configurations include a wired switch controlled motor or wireless remote controlled motor. Corradi offers the latest motors from Nice motors and Somfy motors. Any shade more than 16' wide must be motorized. Also, the wireless options can be used with a sun, wind, or a sun & wind sensor to automatically operate under specific conditions. The Summit is delivered ready to install with standard easy-to-use ceiling brackets. A wall bracket is offered as an option when required.

## FEATURES

**WINDOWS USUALLY INSTALLED AS AN EXTERIOR APPLICATION (VERSATILE ENOUGH TO BE USED AS AN INTERIOR SHADING SYSTEM, ESPECIALLY WHEN USING SHYZIP TRACKS AND ANY BLACKOUT STYLE FABRIC)**

**GARAGE DOOR OPENINGS, MAKING THE GARAGE A MULTI-USE AND INSECT FREE ROOM**

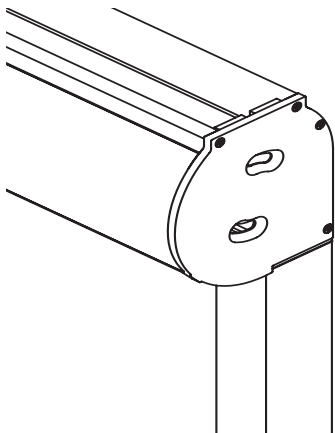
**PATIO COVERS TO CREATE AN INSECT PROOF SCREENED-IN PORCH AT THE TOUCH OF A BUTTON**

**BLACKOUT SHADES THAT PROVIDE THE ULTIMATE ROOM DARKENING EFFECT SKYLIGHTS (WITH USE OF CONSTON BOX TENSION DESIGN)**

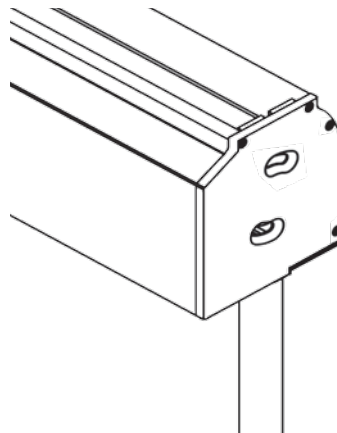
**OUTDOOR RESTAURANT DINING AREAS**

**OUTDOOR SMOKING AREAS**

**RESIDENTIAL AND COMMERCIAL VERANDAS**



Standard Curved Front Option



Special Square Front Option

## FRAME COLORS

### POWDER COATING\*

The aluminum extrusions are painted with certified Qualicoat cycle epoxy powders.



WHITE QUARTZ



ANTHRACITE



CARBON



GLACIER



BEACH SAND



DUNE



GRANITE



CORTEN



URBAN BRONZE

\*RAL CUSTOM COLOR POWDER COATING IS ALSO AVAILABLE

Due to print variation these finish images should not be used for final production specifications.

## FABRICS

Corradi USA offers a wide variety of fabrics for exterior solar screens. Listed below are standard and recommended fabrics available.

### PHIFER

Insect screens and solar protection fabrics with a wide range of opennesses.

INSECT SCREEN	SHEERWEAVE:	SUNTEX:
TUFFSCREEN	2000, 2100, 2360, 2390,	80, 90, & 95
SUPER SOLAR	2410, 2500, 4000, 4100,	
	4500, 4600, 4901, 4903,	
	7000, 7400, 7450, & 7500	<b>PERFORMANCE PLUS:</b>
		2390, 2410, & 2500

### TEMPOTEST USA

Vibrant and durable injection dyed acrylic and solar protection fabrics.

STARSCREEN	SOLID ACRYLICS
TEMPOTESTAR LIGHT	SOLID ACRYLICS FR

### SERGE FERRARI

Preconstraint tension vinyl and solar protection fabrics.

502 SATIN	SOLTIS:
602 BLACKOUT	86, 88, 92, & B92-N

### CLEAR VINYL WINDOWS WITH BORDERS

Protect from rain & keep the view. Clear vinyl windows include borders that can be constructed from vinyl coated textiles or acrylic fabrics.

### ECLISSI

Corradi USA exclusive brand blackout fabric. Can be used on its own or with clear vinyl windows. Radiant barrier in the canvas is ideal for temperature control. Colors available are White, Grey and Ivory.

### OTHER FABRICS APPLICABLE

These are fabric brands that may be used but are not standard:

Mermet  
Sunbrella

## MOTORS

NICE ERA LINE MOTORS  
SOMFY 500 STARHEAD SERIES  
(Override CMO not available.)

## Summit KEY DETAILS

**Max Width\*: 216"**

**Max Height\*\*: 192"**

\* Manual units can only be made up to a 16' (192") width.

\*\* Maximum height may be less for certain fabrics.

# SUNiQ HARBOR



A heavy duty cassette system with a bigger cassette and larger roll-tube, the Harbor is perfect for situations requiring wider widths or longer lengths with thicker fabrics to be covered.

The Harbor is modeled after the industry's superior shading system, the Summit, and is exclusively manufactured and sold by Corradi USA. The base model is manual gear operated with detachable clicking crank, no side tracks, and a round bottom bar. The headbox has a curved front. Upgrade track options include the ShyZip Spring fabric retention system or stainless steel cable guides for both manual or motorized. The manual option includes a detachable clicking crank with an inconspicuous foldable handle. The detachable crank can be used on a manual shade up to the manual maximum length of 16' wide. Motor configurations include a wired switch controlled motor or wireless remote controlled motor. Corradi offers the latest motors from Nice motors and Somfy motors. Any shade more than 16' wide must be motorized. Also, the wireless options can be used with a sun, wind, or a sun & wind sensor to automatically operate under specific conditions. \*Please note Harbor does not use mounting brackets

## FEATURES

**WINDOWS INSTALLED AS AN EXTERIOR APPLICATION**

**GARAGE DOOR OPENINGS, MAKING THE GARAGE A MULTI-USE AND INSECT FREE ROOM**

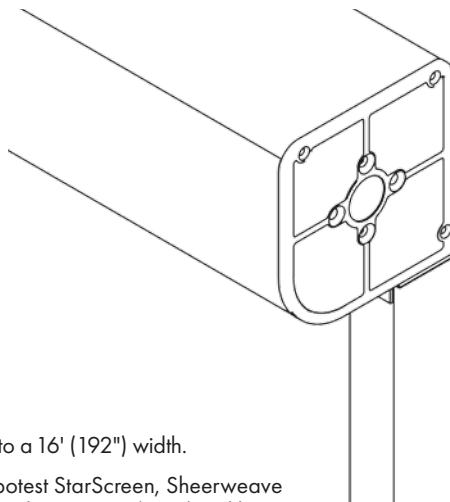
**PATIO COVERS TO CREATE INSECT PROOF SCREENED-IN PORCHES AT THE TOUCH OF A BUTTON**

**OUTDOOR RESTAURANT DINING AREAS**

**OUTDOOR SMOKING AREAS**

**RESIDENTIAL AND COMMERCIAL VERANDAS**

**LARGER WIDTHS AND OPENINGS**



## Harbor KEY DETAILS

**Max Width\*: 276"**

**Max Height\*\*: 192"**

\* Manual units can only be made up to a 16' (192") width.

\* Only Tuffscreen, Super Solar, Tempotest StarScreen, Sheerweave 2100, and Ferrari Soltis 88 can be used over a 18' (216") width.

\*\* Maximum height may be less for certain fabrics.

\*\* Maximum height for systems with vinyl window is 108" without special approval.

## FRAME COLORS

### POWDER COATING\*

The aluminum extrusions are painted with certified Qualicoat cycle epoxy powders.



**WHITE QUARTZ**



**ANTHRACITE**



**CARBON**



**GLACIER**



**BEACH SAND**



**DUNE**



**GRANITE**



**CORTEN**



**URBAN BRONZE**

\*RAL CUSTOM COLOR POWDER COATING IS ALSO AVAILABLE

Due to print variation these finish images should not be used for final production specifications.

## FABRICS

**Corradi USA offers a wide variety of fabrics for exterior solar screens. Listed below are standard and recommended fabrics available.**

### PHIFER

Insect screens and solar protection fabrics with a wide range of opennesses.

**INSECT SCREEN**  
**TUFFSCREEN**  
**SUPER SOLAR**

**SHEERWEAVE:**

2000, 2100, 2360, 2390,  
2410, 2500, 4000, 4100,  
4500, 4600, 4901, 4903,  
7000, 7400, 7450, & 7500

**SUNTEX:**

80, 90, & 95

**PERFORMANCE PLUS:**

2390, 2410, & 2500

### TEMPOTEST USA

Vibrant and durable injection dyed acrylic and solar protection fabrics.

**STARSCREEN**

**SOLID ACRYLICS**

**TEMPOTESTAR LIGHT**

**SOLID ACRYLICS FR**

### SERGE FERRARI

Preconstraint tension vinyl and solar protection fabrics.

**502 SATIN**

**SOLTIS:**

**602 BLACKOUT**

86, 88, 92, & B92-N

### CLEAR VINYL WINDOWS WITH BORDERS

Protect from rain & keep the view. Clear vinyl windows include borders that can be constructed from vinyl coated textiles or acrylic fabrics.

### ECLISSI

Corradi USA exclusive brand blackout fabric. Can be used on its own or with clear vinyl windows. Radiant barrier in the canvas is ideal for temperature control. Colors available are White, Grey and Ivory.

### OTHER FABRICS APPLICABLE

These are fabric brands that may be used but are not standard:

Mermet

Sunbrella

## MOTORS

**NICE ERA LINE MOTORS**

**SOMFY 500 STARHEAD SERIES**

(Override CMO not available.)

# SUNiQ VISTA

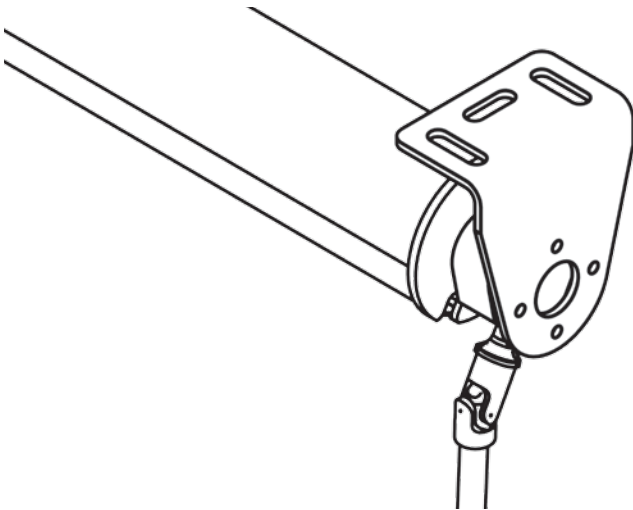


Extremely versatile, the Vista is Corradi's premier exterior open roll system.

The Vista open roll system is exclusively manufactured and sold by Corradi USA. The base model is manual gear operated with detachable clicking crank, no side tracks, and a round bottom bar. Upgrade track options include the ShyZip Spring fabric retention system or stainless steel cable guides for both manual or motorized. The manual option includes a detachable clicking crank with an inconspicuous foldable handle. The detachable crank can be used on a manual shade up to the manual maximum length of 16' wide. Motor configurations include a wired switch controlled motor or wireless remote controlled motor. Corradi offers the latest motors from Nice motors and Somfy motors. Any shade more than 16' wide must be motorized. Also, the wireless options can be used with a sun, wind, or a sun & wind sensor to automatically operate under specific conditions. The Vista is delivered ready to install with standard easy-to-use Vista brackets that can be used for either wall or ceiling mount.

## FEATURES

- WINDOWS, INSTALLED AS AN EXTERIOR APPLICATION.**
- GARAGE DOOR OPENINGS, MAKING THE GARAGE A MULTI-USE ROOM**
- RECESSED POCKETS**
- PATIO COVERS**
- OUTDOOR RESTAURANT DINING AREAS**
- OUTDOOR SMOKING AREAS**
- RESIDENTIAL AND COMMERCIAL VERANDAS**



## Vista KEY DETAILS

**Max Width\*: 276"**

**Max Height\*\*: 192"**

\* Manual units can only be made up to a 16' (192") width.

\* Only Tuffscreen, Super Solar, Tempotest StarScreen, Sheerweave 2100, and Ferrari Soltis 88 can be used over a 18' (216") width.

\*\* Maximum height may be less for certain fabrics.  
See chart on page 5 for reference.

\*\* Maximum height for systems with vinyl window is 108" without special approval.

## FRAME COLORS

### POWDER COATING\*

The aluminum extrusions are painted with certified Qualicoat cycle epoxy powders.



**WHITE QUARTZ**



**ANTHRACITE**



**CARBON**



**GLACIER**



**BEACH SAND**



**DUNE**



**GRANITE**



**CORTEN**



**URBAN BRONZE**

\*RAL CUSTOM COLOR POWDER COATING IS ALSO AVAILABLE

Due to print variation these finish images should not be used for final production specifications.

## FABRICS

Corradi USA offers a wide variety of fabrics for exterior solar screens. Listed below are standard and recommended fabrics available.

### PHIFER

Insect screens and solar protection fabrics with a wide range of opennesses.

<b>INSECT SCREEN</b>	<b>SHEERWEAVE:</b>	<b>SUNTEX:</b>
<b>TUFFSCREEN</b>	2000, 2100, 2360, 2390,	80, 90, & 95
<b>SUPER SOLAR</b>	2410, 2500, 4000, 4100,	
	4500, 4600, 4901, 4903,	<b>PERFORMANCE PLUS:</b>
	7000, 7400, 7450, & 7500	2390, 2410, & 2500

### TEMPOTEST USA

Vibrant and durable injection dyed acrylic and solar protection fabrics.

<b>STARSCREEN</b>	<b>SOLID ACRYLICS</b>
<b>TEMPOTESTAR LIGHT</b>	<b>SOLID ACRYLICS FR</b>

### SERGE FERRARI

Preconstraint tension vinyl and solar protection fabrics.

<b>502 SATIN</b>	<b>SOLTIS:</b>
<b>602 BLACKOUT</b>	86, 88, 92, & B92-N

### CLEAR VINYL WINDOWS WITH BORDERS

Protect from rain & keep the view. Clear vinyl windows include borders that can be constructed from vinyl coated textiles or acrylic fabrics.

### ECLISSI

Corradi USA exclusive brand blackout fabric. Can be used on its own or with clear vinyl windows. Radiant barrier in the canvas is ideal for temperature control. Colors available are White, Grey and Ivory.

### OTHER FABRICS APPLICABLE

These are fabric brands that may be used but are not standard:

- Mermet
- Sunbrella

## MOTORS

**NICE ERA LINE MOTORS**  
**SOMFY 500 STARHEAD SERIES**

(Override CMO not available.)

# SHADE LAB by SUNiQ SHAN



## FRAME COLORS POWDER COATING\*

The aluminum extrusions are painted with certified Qualicoat cycle epoxy powders.



WHITE QUARTZ



ANTHRACITE



CORTEN\*\*

\*RAL CUSTOM COLOR POWDER COATING IS ALSO AVAILABLE

\*\*ShadeLab Corten is a gradient finish. Color will vary from light to dark.

Due to print variation these finish images should not be used for final production specifications.

## FABRICS

Corradi USA offers the best in quality of acrylic fabrics for retractable awnings. Listed below are standard and recommended fabrics available.

### PARA TEMPOTEST USA

Vibrant and durable injection dyed acrylic and solar protection fabrics.

**SOLID ACRYLICS**  
**SOLID ACRYLICS FR**  
**STRIPED ACRYLICS**

### OTHER FABRICS APPLICABLE

These are fabric brands that may be used but are not standard:

Sunbrella Standard Acrylics  
Sunbrella Premium Acrylics

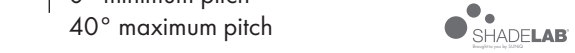
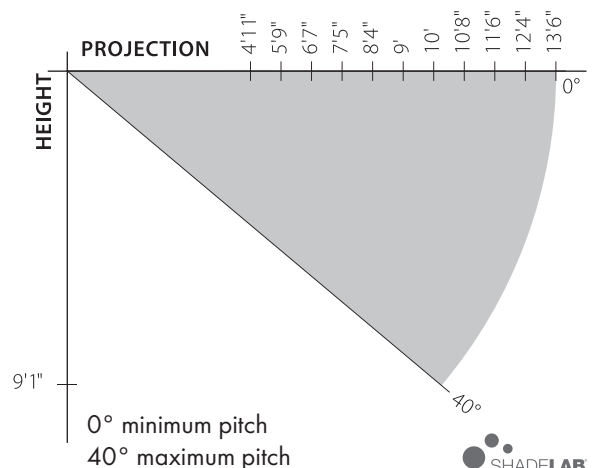
## MOTORS

**NICE BRAND TORQUE SENSING RADIO MOTOR REQUIRED FOR SHAN.**

(Override CMO not available.)



## PROJECTION & PITCH\*



SHAN is a state-of-the-art cassette awning. When it comes to your house or establishment, you want a cassette awning that works perfectly and shades without compromising the aesthetic line. SHAN meets all these requirements and fully integrates with the architecture.

Because of its marked shape and design, the SHAN is wall mount only and always motorized. The D.T.S. system (Dynamic Tilting System) allows the tilting of the support when the awning is retracting, maintaining a perfect closure of the cassette. The special gasket along the length of the front bar makes the awning watertight and ensures silent closure. The compact box dimension is 10.16" in height and 7.28" deep. A single section is up to 23' (276") width and can reach a 13'6" (162") projection. The SHAN uses the patented feature arm URBAN, the essence of the most advanced technology and fine Italian design. It features the innovative Dynamic Arm Torsion System, which helps to protect the traction mechanism and to prevent fabric tears. Pitch adjustment is available up to 40°. The micrometric regulation of pitch allows for easy and precise adjustment. The Shan is also motorized with a Nice torque sensing motor with the limits preset at the factory. Standard Frame colors available for the Shan are White Sable, Anthracite, & Corten—all finishes are matte. A complete line of awning fabrics are available, featuring our Para Tempotest line of 100% acrylic awning material. The Shan is a design patented system.

## FEATURES

**ACQUASTOP SYSTEM** The Aquastop gasket favours a perfect adherence of the cassette to the wall hence blocking the flowing of water in case of rain.

**DAT SYSTEM** (Dynamic Arm Torsion System) The distance between fabric and arm increases when deployed to protect the fabric.



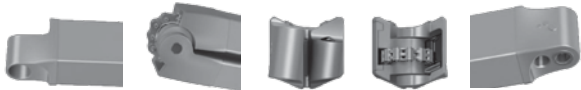
**FULL CASSETTE AWNING** Retractable arm awning with fully enclosed cassette.

**MICROMETRIC REGULATION OF PITCH** Allows for easy and precise adjustment.

**MOTORIZED (ONLY)** The Shan uses only a Nice brand Torque sensing motor.

**STAINLESS STEEL SCREWS AND PINS**

**URBAN ARM** The URBAN arm is the essence of advanced technology and fine Italian design. No compromise on performances and details. An unprecedented retractable arm of unique design with raw materials of highest quality and the advanced technology of the DAT System come together to make the Urban arm a masterpiece in the world of shading.



**WIDE PITCH RANGE** Pitch ranges between 0° and 40°.

**WALL MOUNT (ONLY)** The Shan is installed mounted to a wall. (Roof mount may be available for approved applications.)

**2010 RED DOT DESIGN AWARD WINNER**

## WIDTH RANGE

Projection*	Min. width	Max. width
8'4"	118" / 9'10"	276" / 23'
10'	138" / 11'6"	276" / 23'
11'6"	157" / 13'1"	276" / 23'
13'6"	177" / 14'9"	276" / 23'

\*Maximum projection indicated is intended with arms at 0° pitch, perpendicular to the mounted wall. Increasing the pitch will decrease the projection when measured in a straight/perpendicular line from the mounted wall.

# SHADE LAB by SUNiQ SVET



## FRAME COLORS

### POWDER COATING\*

The aluminum extrusions are painted with certified Qualicoat cycle epoxy powders.



WHITE QUARTZ



ANTHRACITE



CORTEN\*\*

\*RAL CUSTOM COLOR POWDER COATING IS ALSO AVAILABLE

\*\*ShadeLab Corten is a gradient finish. Color will vary from light to dark.

Due to print variation these finish images should not be used for final production specifications.

## FABRICS

Corradi USA offers the best in quality of acrylic fabrics for retractable awnings. Listed below are standard and recommended fabrics available.

### PARA TEMPOTEST USA

Vibrant and durable injection dyed acrylic and solar protection fabrics.

**SOLID ACRYLICS**  
**SOLID ACRYLICS FR**  
**STRIPED ACRYLICS**

### OTHER FABRICS APPLICABLE

These are fabric brands that may be used but are not standard:

Sunbrella Standard Acrylics  
 Sunbrella Premium Acrylics

## MOTORS

**NICE ERA LINE MOTORS**  
**SOMFY 500 STARHEAD SERIES**

(Override CMO not available.)



Extreme design, cutting edge performance and its distinct aluminum profile make the Svet perfectly in line with contemporary urban architecture.

Thanks to its new arm support in extruded aluminium, SVET can reach a 23' (276") width by 13'6" (162") projection enabling it to shade wide surfaces; that's why it is particularly suited for bars, restaurants and resorts. The SVET uses the patented feature arm URBAN, the essence of the most advanced technology and fine Italian design. URBAN and SVET only use stainless steel hardware and the patented roller tube bracket seamlessly integrated with the square bar to eliminate the need for unsightly external bolted on brackets found in most other standard designs. It also features the innovative Dynamic Arm Torsion System, which helps to protect the traction mechanism and to prevent fabric tears. Standard Frame colors available for the Svet are White Sable, Anthracite, & Corten—all finishes are matte. A complete line of awning fabrics is available, featuring our Para Tempotest line of 100% acrylic awning material. The Svet is patented in both technology and design.

## FEATURES

**DAT SYSTEM** (Dynamic Arm Torsion System) The distance between fabric and arm increases when deployed to protect the fabric.



**MICROMETRIC REGULATION OF PITCH** Allows for easy and precise adjustment.

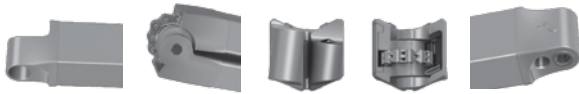
**MOTORIZED (ONLY)** The Svet uses a Nice brand Torque sensing motor. Somfy options available.

**HOOD OPTION** Protective Hood option is available to help protect fabric from the elements.

**OPEN ROLL AWNING** Retractable arm awning with exposed fabric roll.

### STAINLESS STEEL SCREWS AND PINS

**URBAN ARM** The URBAN arm is the essence of advanced technology and fine Italian design. No compromise on performances and details. An unprecedented retractable arm of unique design with raw materials of highest quality and the advanced technology of the DAT System come together to make the Urban arm a masterpiece in the world of shading.



**WIDE PITCH RANGE** Pitch ranges between 3° and 65°.

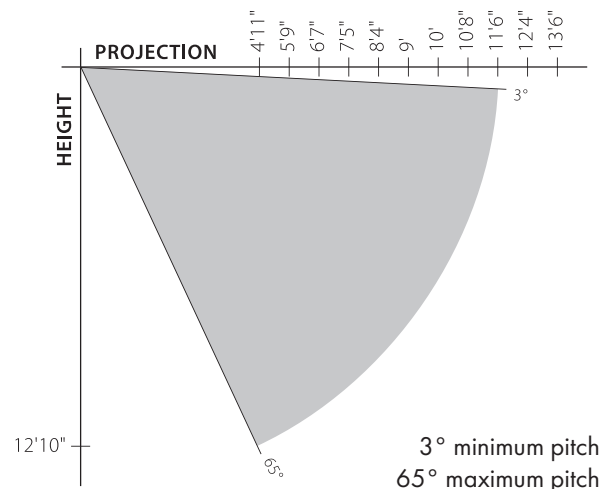
**WALL & CEILING MOUNT OPTIONS** The Svet can be installed mounted to a wall or to a ceiling.

## WIDTH RANGE

Projection*	Min. width	Max. width
8'4"	118" / 9'10"	276" / 23'
10'	138" / 11'6"	276" / 23'
11'6"	157" / 13'1"	276" / 23'
13'6"	177" / 14'9"	276" / 23'

\*Maximum projection indicated is intended with arms at 0° pitch, perpendicular to the mounted wall. Increasing the pitch will decrease the projection when measured in a straight/perpendicular line from the mounted wall.

## PROJECTION & PITCH



3° minimum pitch  
 65° maximum pitch

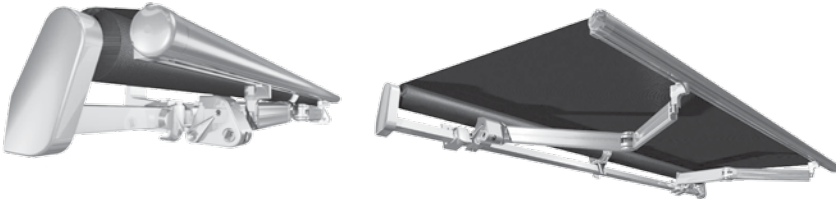
# SUNiQ EVO & EVO SEMI CASSETTE



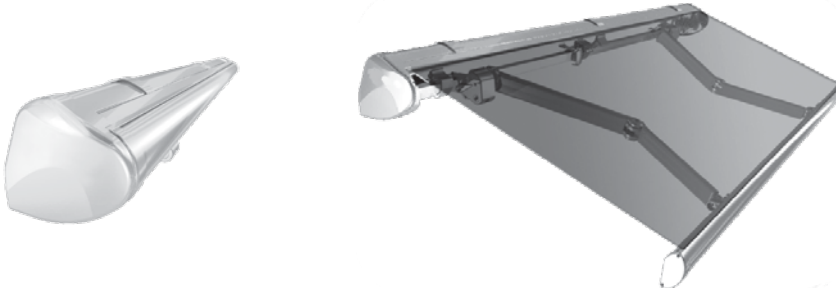
The EVO and the EVO SC are Corradi USA's classic and most versatile open-roll awnings. Engineered with components that work together to ensure that the EVO and the EVO SC work flawlessly within an impressive range of sizes. The Corradi EVO and EVO SC awnings raise the bar for awning design standards for all open roll and semi-cassette awnings.

These elegant awnings are made to size for protection from the sun. They are suitable to be installed on pre-existing structures either on the outside wall, beneath an eave, or on the roof. The EVO and EVO SC awnings can be motorized with either Nice or Somfy brand motors, or it can be made manual with gear spring assisted option for easy retraction. Wind and other types of sensors are available to help extend the life of motorized versions of these awnings. The arms are constructed with patented dual inline compression and tension springs, stainless steel strands PVC coated belt, and double sealed bearing elbow joints tested to 60,000 cycles. All of these components are made of powder coated aluminum and/or steel for an unobtrusive design concept. The EVO and the EVO SC utilize the EVO arm bracket of which is a combination die-cast/extrusion to obtain the highest strength and still provide the maximum ease for pitch adjustment and installation. Thanks to the strength and the design of the arm bracket, the EVO and EVO SC are the only awnings in the market that can safely go to a 13' 6" (162") projection still using a standard 40 x 40 mm square support bar. The EVO and EVO SC's coverage ranges from minimum width of 9' to an impressive maximum width of 40'. Their awning arm projection range includes 4 sizes: 6' 6", 8', 10', 11' 6", and 13'.

## EVO



## EVO SC (semi-cassette)



### WIDTH RANGE EVO & EVO SC

Projection*	Min. width	Max. width
6'6"	108" / 9'	480" / 40'
8'	129" / 10'9"	480" / 40'
10'	144" / 12'	480" / 40'
11'6"	164" / 13'8"	480" / 40'
13'	186" / 15'6"	480" / 40'

\*Maximum projection indicated is intended with arms at 0° pitch, perpendicular to the mounted wall. Increasing the pitch will decrease the projection when measured in a straight/perpendicular line from the mounted wall.

## FRAME COLORS

### POWDER COATING\*

The aluminum extrusions are painted with certified Qualicoat cycle epoxy powders. (all 3 colors listed below are gloss finish.)



WHITE



TAN



MOCHA

\*RAL CUSTOM COLOR POWDER COATING IS ALSO AVAILABLE

Due to print variation these finish images should not be used for final production specifications.

## FABRICS

Corradi USA offers the best in quality of acrylic fabrics for retractable awnings. Listed below are standard and recommended fabrics available.

### PARA TEMPOTEST USA

Vibrant and durable injection dyed acrylic and solar protection fabrics.

**SOLID ACRYLICS**  
**SOLID ACRYLICS FR**  
**STRIPED ACRYLICS**

### OTHER FABRICS APPLICABLE

These are fabric brands that may be used but are not standard:

Sunbrella Standard Acrylics  
 Sunbrella Premium Acrylics

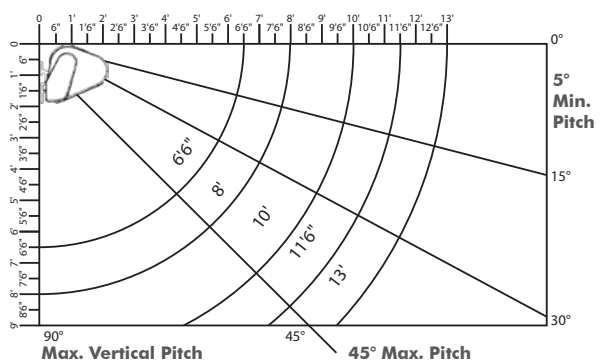
## MOTORS

**NICE ERA LINE MOTORS**  
**SOMFY 500 STARHEAD SERIES**  
 (Including Override CMO.)

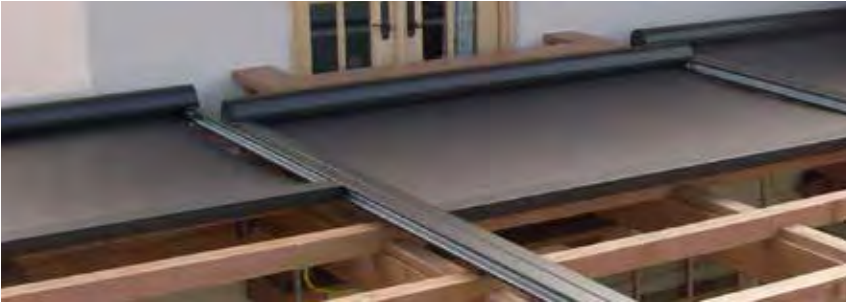
## FEATURES

- RETRACTABLE LATERAL ARM AWNING
- OPEN ROLL OR SEMI-CASSETTE (SC) AVAILABLE
- PITCH RANGES BETWEEN 5° AND 45°
- STRONG EVO ARM BRACKET
- SUPPORTS UP TO 40' WIDTH COVERAGE
- WALL, CEILING OR ROOF MOUNT AVAILABLE
- HOOD AVAILABLE FOR THE OPEN ROLL
- MOTORIZED, MANUAL, AND CMO AVAILABLE

PITCH RANGE FOR BOTH EVO & EVO SC  
 (EVO SC PICTURED BELOW)



# SUNiQ HORIZON



## FRAME COLORS

### POWDER COATING\*

The aluminum extrusions are painted with certified Qualicoat cycle epoxy powders.



**WHITE GLOSS**

\*RAL CUSTOM COLOR POWDER COATING IS ALSO AVAILABLE. (PICTURED ON THE LEFT)

Due to print variation these finish images should not be used for final production specifications.

Designed for 360° of interior and exterior skylight shading, as well as mounting to existing structures for patio areas, the Horizon is a unique answer to controlling the sun's harsh U.V. rays.

The Horizon is a shade structure unlike any other. It is capable of up to 195 square feet of coverage per individual unit. Even greater coverage can be created by installing the units side by side. Bottom-up applications are possible as well as any angle of application that offers a mounting surface. The Horizon can be mounted flush or up to a 2 foot distance from the mounting surface depending on the brackets you wish to use. The bracket options available for the Horizon are L-brackets for flush mounts or stand-off brackets for mounting above the surface (min 2"–max 24").

The base Horizon comes in white only, motorized, with tracks specifically engineered for the Horizon. The Horizon's constant tensioning design will give years of maintenance free sun control. Motorized only, the Horizon is available with several motor configurations including a wired switch controlled motor or wireless remote controlled motor. Corradi offers the latest motors from Nice motors and Somfy motors. Wireless options can be used with a sun, wind, or a sun & wind sensor to automatically operate under specific conditions.

All solar screen fabrics or solid awning fabrics are available for this system. The Horizon is designed only for sun control and is not intended to protect from rain. A unique characteristic of the Horizon system is that it can be paired with certain Corradi Pergotenda® models to create ultimate overhead control over the outdoor elements in complete style.

## SUMMARY

- Retractable cassette skylight drop screen/awning
- 360° mounting range available
- Flush (L-bracket) and Stand-off mount available
- Motorized only
- Horizon side tracks guide option only
- Standard white frame only
- Custom RAL powder coating option available

## SIZE RANGE

- Max Width**  
180" depending on drop
- Max Drop**  
180" depending on width
- Min Width**  
60"
- Min Drop**  
60"



## FABRICS

Corradi USA offers a wide variety of fabrics for exterior solar screens. Listed below are standard and recommended fabrics available.

### PHIFER

Insect screens and solar protection fabrics with a wide range of opennesses.

INSECT SCREEN	SHEERWEAVE:	SUNTEX:
TUFFSCREEN	2000, 2100, 2360, 2390,	80, 90, & 95
SUPER SOLAR	2410, 2500, 4000, 4100,	
	4500, 4600, 4901, 4903,	
	7000, 7400, 7450, & 7500	<b>PERFORMANCE PLUS:</b> 2390, 2410, & 2500

### TEMPOTEST USA

Vibrant and durable injection dyed acrylic and solar protection fabrics.

STARSCREEN	SOLID ACRYLICS
TEMPOTESTAR LIGHT	SOLID ACRYLICS FR

### SERGE FERRARI

Preconstraint tension vinyl and solar protection fabrics.

502 SATIN	SOLTIS:
602 BLACKOUT	86, 88, 92, & B92-N

### ECLISSI

Corradi USA exclusive brand blackout fabric. Can be used on its own or with clear vinyl windows. Radiant barrier in the canvas is ideal for temperature control. Colors available are White, Grey and Ivory.

### OTHER FABRICS APPLICABLE

These are fabric brands that may be used but are not standard:  
Mermet  
Sunbrella

## MOTORS

NICE ERA LINE MOTORS  
SOMFY 500 STARHEAD SERIES  
(Override CMO not available.)

## IDEAL APPLICATIONS

- Skylights
- Bottom-ups
- Atriums
- Sunrooms
- Any horizontal applications

## SIZE LIMITS

		WIDTH														
		5'	6'	7'	8'	9'	10'	11'	12'	13'	14'	15'	16'	17'	18'	19'
		60"	72"	84"	96"	108"	120"	132"	144"	156"	168"	180"	192"	204"	216"	228"
DROP/ PROJECTION	5'	60"	YES	YES	YES	YES	YES	YES	YES	YES	YES	YES	YES	YES	YES	YES
	6'	72"	YES	YES	YES	YES	YES	YES	YES	YES	YES	YES	YES	YES	YES	YES
	7'	84"	YES	YES	YES	YES	YES	YES	YES	YES	YES	YES	YES	YES	YES	YES
	8'	96"	YES	YES	YES	YES	YES	YES	YES	YES	YES	YES	YES	YES	YES	YES
	9'	108"	YES	YES	YES	YES	YES	YES	YES	YES	YES	YES	YES	YES	YES	YES
	10'	120"	YES	YES	YES	YES	YES	YES	YES	YES	YES	YES	YES	YES	YES	YES
	11'	132"	---	YES	YES	YES	YES	YES	YES	YES	YES	YES	YES	YES	YES	YES
	12'	144"	---	YES	YES	YES	YES	YES	YES	YES	YES	YES	YES	YES	YES	YES
	13'	156"	---	---	YES	YES	YES	YES	YES	YES	YES	YES	YES	YES	YES	YES
	14'	168"	---	---	---	YES	YES	YES	YES	YES	YES	YES	---	---	---	---
	15'	180"	---	---	---	---	YES	YES	YES	YES	---	---	---	---	---	---

# SHADE LAB by SUNiQ Ilios RAY & Ilios WING



## FRAME COLORS

### POWDER COATING\*

The aluminum extrusions are painted with certified Qualicoat cycle epoxy powders.



WHITE QUARTZ



ANTHRACITE



CORTEN\*\*

\*RAL CUSTOM COLOR POWDER COATING IS ALSO AVAILABLE

\*\*ShadeLab Corten is a gradient finish. Color will vary from light to dark.

Due to print variation these finish images should not be used for final production specifications.

## FABRICS

Corradi USA offers a wide variety of fabrics for exterior solar screens. Listed below are standard and recommended fabrics available.

### PHIFER (AVAILABLE FOR Ilios RAY ONLY)

Insect screens and solar protection fabrics with a wide range of opennesses.

INSECT SCREEN	SHEERWEAVE:	SUNTEX:
TUFFSCREEN	2000, 2100, 2360, 2390,	80, 90, & 95
SUPER SOLAR	2410, 2500, 4000, 4100,	
	4500, 4600, 4901, 4903,	
	7000, 7400, 7450, & 7500	<b>PERFORMANCE PLUS:</b> 2390, 2410, & 2500

### TEMPOTEST USA

Vibrant and durable injection dyed acrylic and solar protection fabrics.

STARSCREEN	SOLID ACRYLICS
TEMPOTESTAR LIGHT	SOLID ACRYLICS FR

### SERGE FERRARI (AVAILABLE FOR Ilios RAY ONLY)

Preconstraint tension vinyl and solar protection fabrics.

502 SATIN	SOLTIS:
602 BLACKOUT	86, 88, 92, & B92-N

### ECLISSI

Corradi USA exclusive brand blackout fabric. Radiant barrier in the canvas is ideal for temperature control. Colors available are White, Grey and Ivory.

### OTHER FABRICS APPLICABLE

These are fabric brands that may be used but are not standard:

Mermet (AVAILABLE FOR Ilios RAY ONLY)

Sunbrella

## MOTORS

NICE BRAND TORQUE SENSING RADIO MOTOR REQUIRED FOR Ilios RAY & WING.  
(Override CMO not available.)

## FEATURES Ilios RAY

- RETRACTABLE CASSETTE DROP SCREEN
- WALL AND CEILING MOUNT AVAILABLE
- NO VISIBLE SCREWS FOR STREAMLINE DESIGN
- STAINLESS STEEL HARDWARE
- SMART BOX SYSTEM
- CABLE GUIDE ONLY
- EASY MAINTENANCE
- STANDARD MATTE FRAME COLORS—  
WHITE SABLE, ANTHRACITE & CORTEN
- COMPLEMENTS Ilios WING

## FEATURES Ilios WING

- RETRACTABLE DROP ARM CASSETTE AWNING
- WALL AND CEILING MOUNT AVAILABLE (SAME BRACKET)
- NO VISIBLE SCREWS FOR STREAMLINE DESIGN
- STAINLESS STEEL HARDWARE
- SMART BOX SYSTEM (TO REMOVE FRONT COVER)
- EASY TO MAINTAIN
- STANDARD MATTE FRAME COLORS—  
WHITE SABLE, ANTHRACITE & CORTEN
- COMPLEMENTS Ilios RAY

The Ilios Ray and Ilios Wing are elegant and technologically innovative and versatile patented designs. The Ilios RAY is a luxury DROP SCREEN while the Ilios WING is an elegant DROP ARM AWNING. Both close into a sleek and fully sealed round headbox. With excellent performance, versatility, and fresh aesthetic appeal, the Ilios is the expression of passionate work that has opened the door to countless creative architectural opportunities.

The Ilios RAY comes with full housing and steel cable guides. The Ilios WING comes with full housing and tensioned drop-arms. The front bar (designed for both the Ilios Ray and Ilios Wing) perfectly integrates with the box, creating a fully sealed and weathertight cassette. Ilios Ray or Wing can be installed on the wall and ceiling and offers a great advantage: maintenance and change of fabric/motor can be performed without uninstalling the awning. Thanks to the practical Smart-Box system, the front cover can be removed quickly and effortlessly. There are no visible screws which provide a clean and smart design.

## Ilios RAY



### SIZE RANGE Ilios RAY

Min. width	Max. width	Max. drop*
36"	17'	10' or 15'

\* Depending on fabric choice: 10' max for acrylic fabrics and 15' max for screen fabrics.

## Ilios WING



### SIZE RANGE Ilios WING

Projection	Min. width	Max. width	Max. angle
32"	36"	17'	90°
48"	36"	17'	90°
63"	36"	17'	90°



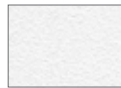
# SHADE LAB by SUNiQ AIRE RAY



## FRAME COLORS

### POWDER COATING\*

The aluminum extrusions are painted with certified Qualicoat cycle epoxy powders.



WHITE QUARTZ



ANTHRACITE



CORTEN\*\*

\*RAL CUSTOM COLOR POWDER COATING IS ALSO AVAILABLE

\*\*ShadeLab Corten is a gradient finish. Color will vary from light to dark.

Due to print variation these finish images should not be used for final production specifications.

## FABRICS

Corradi USA offers a wide variety of fabrics for exterior solar screens. Listed below are standard and recommended fabrics available.

### PHIFER

Insect screens and solar protection fabrics with a wide range of openesses.

**INSECT SCREEN**  
**TUFFSCREEN**  
**SUPER SOLAR**

**SHEERWEAVE:**

2000, 2100, 2360, 2390,  
2410, 2500, 4000, 4100,  
4500, 4600, 4901, 4903,  
7000, 7400, 7450, & 7500

**SUNTEX:**

80, 90, & 95

**PERFORMANCE PLUS:**

2390, 2410, & 2500

### TEMPOTEST USA

Vibrant and durable injection dyed acrylic and solar protection fabrics.

**STARSCREEN**

**TEMPOTESTAR LIGHT**

**SOLID ACRYLICS**

**SOLID ACRYLICS FR**

### SERGE FERRARI

Preconstraint tension vinyl and solar protection fabrics.

**502 SATIN**

**602 BLACKOUT**

**SOLTIS:**

86, 88, 92, & B92-N

### ECLISSI

Corradi USA exclusive brand blackout fabric. Radiant barrier in the canvas is ideal for temperature control. Colors available are White, Grey and Ivory.

### OTHER FABRICS APPLICABLE

These are fabric brands that may be used but are not standard:

Mermet

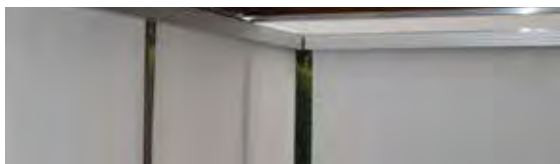
Sunbrella

## MOTORS

**NICE BRAND TORQUE SENSING RADIO**

**MOTOR REQUIRED FOR AIRE.**

(Override CMO not available.)



The AIRE is a state-of-the-art drop screen with extreme style, modern design and cutting-edge technology. It answers growing needs in the industry for technologically innovative products that are easy to integrate with contemporary building style.

AIRE easily fits both domestic and commercial applications. With stainless steel cable guides and a wide array of Corradi Screen and Awning fabrics available, the Aire offers protection from sun and UV rays as well as provides privacy. The architectural aesthetic opportunities are endless with a bottom bar that fully retracts into the head box. This unique ribbed square housing complements & coordinates well with the Shan awning. Easy and fast to install, the Aire features a unique bracket and cable bracket tensioner for quick adjustments that make it virtually maintenance free. Both wall and ceiling mounts are available. The maximum size with acrylic fabric is 17' (204") width with a 10' (120") height, while with screen fabric a height of 15' (180") can be reached. The Aire comes standard with all stainless steel hardware and 78mm steel tube. The Aire is available motorized only. The Aire is a design patented system

## FEATURES

**RETRACTABLE CASSETTE DROP SCREEN**

**WALL AND CEILING MOUNT AVAILABLE**

**STAINLESS STEEL HARDWARE**

**BOTTOM BAR FULLY RETRACTS INTO HEAD BOX**

**STAINLESS STEEL CABLE GUIDE IS STANDARD (WITHOUT GUIDES IS POSSIBLE)**

**STANDARD MATTE FRAME COLORS—WHITE SABLE, ANTHRACITE & CORTEN**

**SQUARE DESIGN COMPLEMENTS SHAN AWNING**



## SIZE RANGE

**Min. width**  
36"

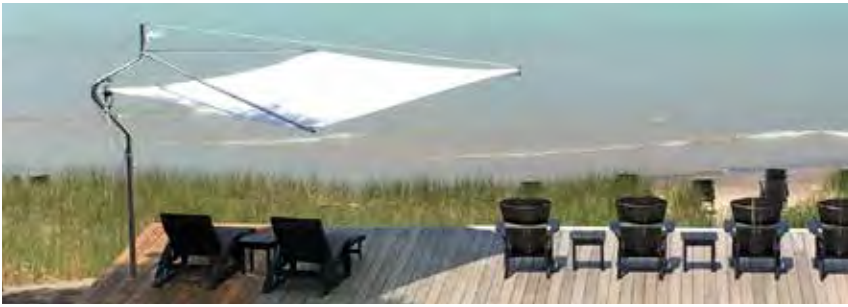
**Max. width**  
17'

**Max. drop\***  
10' or 15'

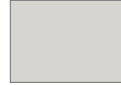
\*Depending on fabric choice: 10' max for acrylic fabrics and 15' max for screen fabrics.



# SUNiQ PILOT



## FRAME



ALUMINUM (ONLY)

## FABRIC



DACRON CANVAS  
WHITE (ONLY)

*Due to print variation these finish images should not be used for final production specifications.*

## MOTORS

SOMFY 535 CMO (MOTOR OVERRIDE) (ONLY)

EOLIS RTS SENSOR KIT ANEMOMETER

(MOTOR CONNECTED WIND SENSOR)

## FEATURES

FREESTANDING SHADE SAIL

NAUTICAL DESIGN TECHNOLOGY & COMPONENTS

3 MOUNT/STANDING OPTIONS AVAILABLE

360° ROTATION

RESISTS SALINITY AND ATMOSPHERIC EVENTS

LOW MAINTENANCE

BRUSHED/POLISHED STAINLESS STEEL FINISH

STAINLESS STEEL CLEANING KIT PROVIDED

The Pilot Shade Sail stems from a deep knowledge of the nautical world. The application of technology and materials that are primarily used at sea makes the Pilot completely unique and provides excellent resistance to weathering, salinity and wear.

The Pilot Shade Sail is in a class of its own. A Free Standing shade made of stainless steel frame and white Dacron canvas sail that may be rotated up to 360°. It is motorized only and the Dacron canvas quickly winds up by using a remote-control. It is also fitted with an anemometer for automatically closing the sail in the event of strong wind. The self-supporting shade structure is composed of two white Dacron winding sails on a horizontal mast attached to a curved frame. The sails are also connected to stainless steel supporting arms and tensioned by high tenacity Dyneema ropes. A stainless steel cleaning kit is supplied as standard.

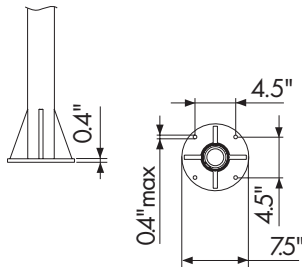
*\*The sail cover should be considered optional in winter for products that remain exposed outdoors.*

### The Pilot has 3 mount/standing options:

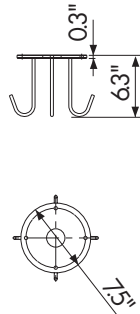
Anchored to the ground is the standard solution (anchors not supplied), counter plate with prongs embedded in concrete plinth, or ballasted base with optional stainless steel cover. (Ballast blocks not supplied.)

PLEASE NOTE WHEN INSTALLING ON BALCONY/TERRACE: Check load capacity of the balcony/terrace on which the chosen structure is to be installed.

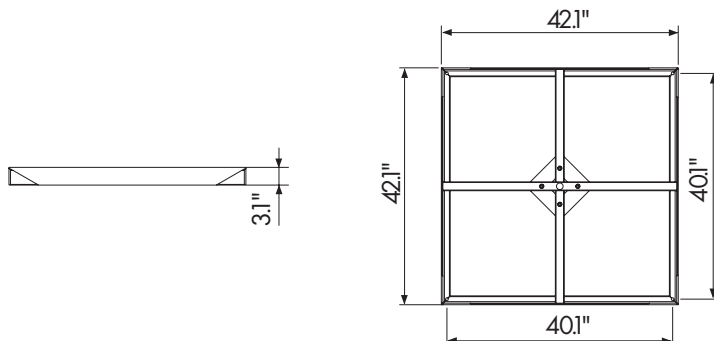
#### GROUND POLE



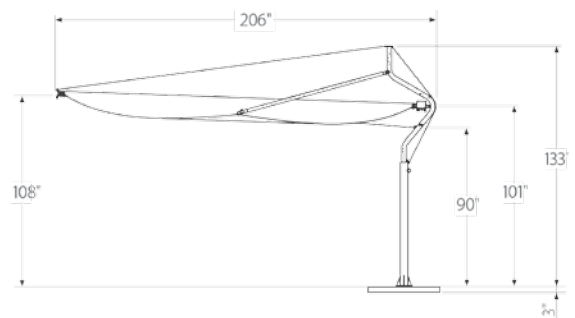
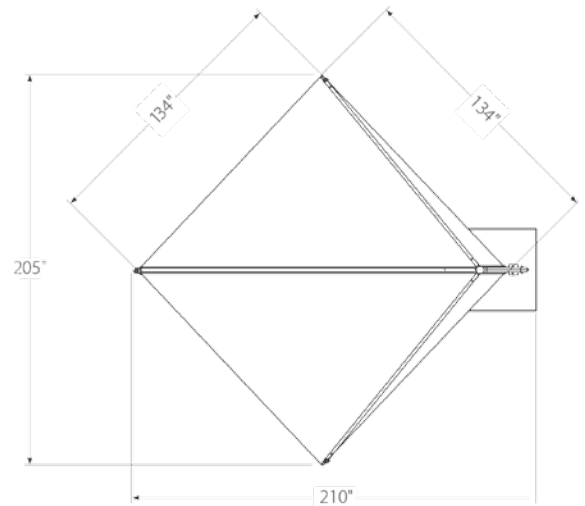
#### IN-GROUND COUNTER PLATE



#### BALLASTED BASE



### DETAILED PILOT MEASUREMENTS



# CORRADI USA FABRIC COLLECTION

From the simplest insect screen to the most luxurious fiberglass fabric, Corradi offers a vast array of fabrics from the most reputable manufacturers in the outdoor industry: Tempotest® USA, Ferrari®, and Phifer® among others.

A selection of over 300 colors, styles and textures to chose from to personalize your Corradi system depending on your needs, whether strictly technical, aesthetic or anywhere in between.

\*Please Contact your Authorized Corradi USA Dealer for fabric samples.

## Corradi USA Eclissi Blackout Fabric with Radiant Barrier

Eclissi is fabric exclusively used by Corradi USA for any Pergotenda® structures. It is a High tenacity 1100 Dtex Polyester base fabric with PVC laminate. The embossed finishing on the inner side gives a textile appearance and a dynamic weft effect on the surface. Outer side anti-dust acrylic lacquered. This unique 4-ply material has a blackout layer that also acts as a radiant barrier, providing superior heat resistance and heat gain as compared to other textiles used in these types of applications. It is available in 3 colors:



ECLISSI WHITE



ECLISSI GREY



ECLISSI IVORY

Due to print variation these finish images should not be used for final production specifications.

## Tempotest® USA Acrylic Fabric



Corradi USA's #1 fabric choice for clear vinyl window borders. Tempotest® USA has a stunning selection of solid color acrylic fabrics applicable for clear vinyl window borders or full exterior screen coverage. These fabrics are created for solar protection and custom style.

Tempotest® fabrics integrate perfectly in any outdoor space creating a protection from the sun's UV rays, as well as adding a touch of color and elegance. Tempotest® is the leading acrylic awning fabric collection with the most comprehensive assortment of color options for screens and awnings, designed to fit any life style. Tempotest® also offers a Home Fabric collection that is used for Faux Ceilings on Pergotenda® to create atmosphere. It can also be used to upholster outdoor furniture to compliment any outdoor living space. The quality of Tempotest solution dyed fiber and the innovative finishing Teflon® Extreme by Parà® fabric protector, make Tempotest® fabrics water/oil repellent, resistant to mold, stains, salt and U.V. fading. Important collaborations with companies of the highest level has led to the creation of special and exclusive products that Parà® uses to reach the highest goals.

### BENEFITS:

- MOST COMPREHENSIVE COLLECTION OF STYLISH COLORS TO CHOOSE FROM**
- PROTECTION FROM THE SUN'S HARSH UV RAYS**
- LONG TERM STRENGTH AND DURABILITY**
- FADE RESISTANT SOLUTION DYED FIBER**
- TEFLON® EXTREME FABRIC COATING PROTECTION**
- EASY MAINTENANCE**
- CERTIFIED BY THE HIGHLY RESPECTED AUTHORITIES**



## Serge Ferrari Ferrari® Précontraint Solar Fabrics

With a wide range of colors and patented précontraint technology, Ferrari fabrics have a lot to offer when it comes to solar protection and exterior shading. Lightweight, durable and 100% recyclable, Ferrari® Soltis W96, Soltis 92, Soltis 88, Soltis 86, and 502 Satin fabrics are available through Corradi USA for use on Pergotenda®, full coverage screens or as borders for clear vinyl windows for screens.

### BENEFITS:

- PATENTED PRÉCONTRAIT TECHNOLOGY**
- LONG TERM FLEXIBILITY AND STRENGTH**
- UV AND TEMPERATURE PROTECTION**
- FULL SCREEN COVERAGE OR CLEAR VINYL WINDOW BORDER**
- WIDE RANGE OF COLORS**

# CORRADI USA **FABRIC COLLECTION**

## Exterior Shade Special Fabric Option: Clear Vinyl Windows

Clear Vinyl Windows allow you to enjoy your outdoor views while easily protecting and managing your surrounding environment from undesired weather, fluctuating temperatures, and irritating bugs.

Experience a more brilliant atmosphere with adjustable, energy efficient clear vinyl windows. These specialty windows when rolled down can resist hot and cold temperatures, deter unwanted bugs, and eliminate the worry of inclement weather. Exceptional quality double polished clear vinyl presents a sleek and lustrous crystal clear finish that when used with the various options of Corradi USA Exterior Shade Systems, creates unique control over outdoor spaces extend the enjoyment of your surroundings.

All Clear Vinyl is not covered by warranty.

### **IDEAL APPLICATIONS:**

**OUTDOOR SPACES WITH A GREAT VIEW AND UNPREDICTABLE WEATHER**

**WIND & VAPOR BARRIERS**

**INSULATION**

**INSECT CONTROL**

**NOISE REDUCTION**

**AVAILABLE FOR STRATUS, SUMMIT, HARBOR AND VISTA EXTERIOR SCREEN SYSTEMS ONLY**



## Phifer® Solar Fabrics



Natural light can be a beautiful design element with a little sun management. Elegantly managing heat and glare from the sun can be accomplished with Phifer® SheerWeave® sun control fabrics.

Phifer® SheerWeave's light-filtering qualities diffuse light, reduce glare and help control solar heat gain to make any room a more comfortable environment. SheerWeave® also offers a wide range of opennesses.

### **BENEFITS:**

**REDUCE INTERIOR FADING**

**IMPROVE ENERGY EFFICIENCY**

**LIGHT COLORS REFLECT THE SUN'S RAYS**

**DARK COLORS IMPROVE OUTSIDE VIEW & MAXIMIZE GLARE REDUCTION**

**VARIETY OF OPENNESS FACTORS AVAILABLE**

**MICROBAN® ANTIMICROBIAL PRODUCT PROTECTION**



# MOTORS NICE / SOMFY



Nice® technology can help you Distinguish your business by using these unique patented functions that Create Market Differentiation. Utilizing professional technical support and using trained expert technicians, Nice® motor's can reduce call backs by reducing Motor Fatigue and Motor Burn out. The increased functions for home automation will allow you to engage your Fire, Weather, or Motion sensors, while still employing the convenience of a Switch or Remote Transmitter on the same application all while operating with inconspicuous motor noise. Best of all, these features help you, maintain Profitability and Customer Satisfaction.

## WHY CHOOSE NICE® MOTORS & CONTROLS?

1. Patented quiet technology on all era motors
2. Compact and reliable with solar powered climate controls
3. Precision resolution of height adjustments for screens and shades
4. Multiformated communication for climate controls or specialty applications
5. Applicable automatic or semi automatic programming
6. Directional low voltage input feeds for sensors or home automation
7. Unique torque reduction (rdc) function on electronic era mat ma motor
8. Fabric tensioning system (frit) on mt & hmt awning motors
9. Extended range with nrc radio technology

*Quiet, reliable, and loaded with unique features!!*

**BE DIFFERENT, BE NICE**



Somfy®, the world's leading manufacturer of tubular motors, has more than four decades of experience in designing and manufacturing motors and controls, making Radio Technology Somfy® (RTS) the ultimate choice for the automation of exterior screens and solar shades. Radio Technology Somfy® (RTS) offers a high performing, reliable solution for exterior screen and solar shade motorization. Since the radio receiver is integrated within the motor, making RTS the ideal choice for hassle-free installation and quick and easy operation.

Whether you want to control your exterior screens and solar shades at the touch of a button or use automatic controls, Somfy® has the solution for all of your motorization needs.

## COMPARISON MOTOR VS MANUAL

*Operating exterior shading systems with a motor and adding automation features such as a Sun Sensor, Wind Sensor or even integrating the Shade Motor with a home automation protocol is extremely common and has been an option for several decades. A motor is simply one of the most reliable components of a screen system. The fact the technology has been in use for over thirty years and has only become more reliable is justification for adding a motor to your exterior screen.*



### WHY MOTORIZED?

**Simplified, easy operation.** Push button operation by remote control or wireless wall switch.

**Access.** On a high exterior window, motorization may be the only method to operate the screen. Or, a very tall or exceptionally large screen, motorization may be the only method of effective operation.

**Value.** When screens are motorized, they are actually used more often because they are so easy to operate.

**Efficiency.** Rather than manually operating each screen, motorized screens are easy and quick to operate, especially with two or more exterior screen systems.

**Automation.** Sensors to provide for optimum solar protection can be added to automatically operate the screens when the sun becomes visible.

**Lifestyle.** More and more features in homes and buildings are automated.

**Price.** The cost of adding a motorized solution to your exterior screen is not a significant cost in terms of the overall cost of the screen and high quality solar protection fabrics.

**Reliability.** The motors offered today have the latest technology that has been developing for over 30 years in Europe. The functionality and warranties offered today make this an easy purchasing decision.

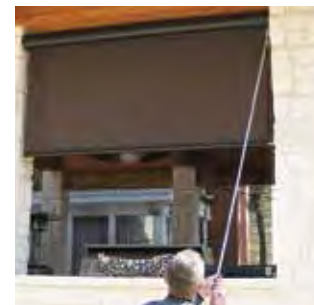
**Eco-friendly.** More and more systems and features are becoming available with solar powered options.

### WHY MANUAL?

**Budget.** While motorized screen prices continue to head downward, a manually operated screen can still save you money. This is a no frills, least expensive method to add solar and insect protection to your outdoor environment.

**No electricity available** to allow for a motorized screen.

**Eco-friendly.** No electricity used is not necessarily a bad thing.





Explore possibilities with  
**LIGHT and SHADOW**

**Italian Design, Innovative Thinking and Worldwide Collaboration comprise the latest Shading Technology with components produced in Europe and America — Fabricated in the USA**

**Distributed in Calgary by GiCor lodging projects ltd.**

[www.gicor.com](http://www.gicor.com) | [info@gicor.com](mailto:info@gicor.com)

1-866-654-4267 | (403) 242-9948 wk | (403) 313-9230 fax